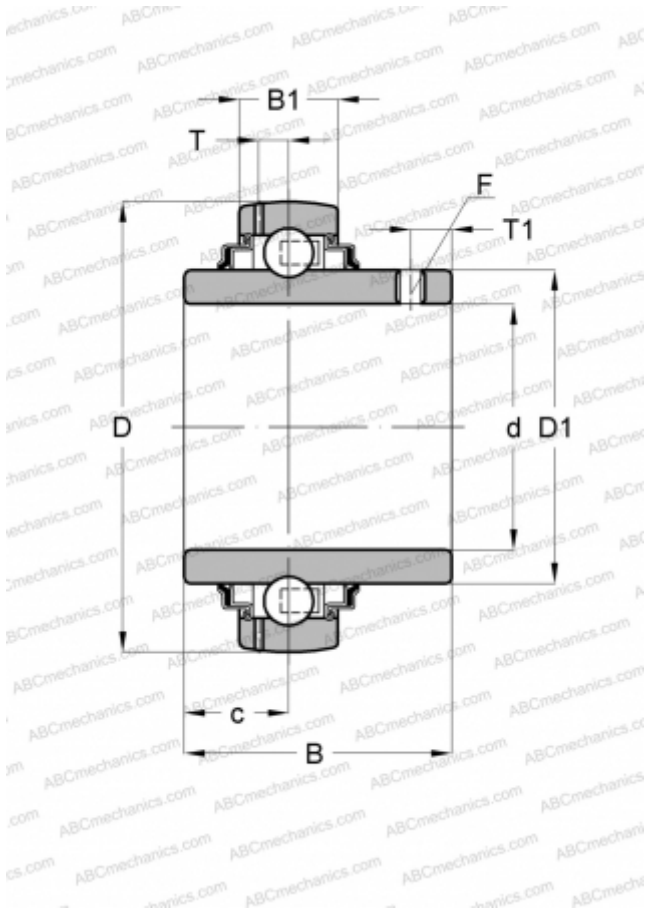


## GYE30-KRR-B INA

Insert bearings

TYPE: Ball bearings, Radial insert bearings, Grub screw to inner ring, Spherical outer ring, Seals on both side, R seal, relubrication



### DIMENSIONS, MM

d	30,000
D	62,000
D1	40,200
B	38,100
B1	18,000
c	15,900
T	4,700
T1	5,800

### DIMENSIONS, MM

F	3
---	---

### MANUFACTURER

[INA](#)

### INTERCHANGE

ABC	<a href="#">UC 206</a>
SKF	<a href="#">YAR 206-2F</a>
ASAHI	<a href="#">UC 206</a>
FAG	<a href="#">56206</a>
FKL	<a href="#">LE 206 2F.Y</a>
SNR	<a href="#">UC206G2</a>
SLB	<a href="#">UC 206</a>
FYH	<a href="#">UC 206</a>
NTN	<a href="#">UC 206 D1</a>

### CALCULATION DATA

Basic dynamic load rating, C	19,500 kN
Basic static load rating, Co	11,300 kN
Operating temperature min	-20 °C
Operating temperature max	120 °C

### REPLACES

GYE30-XL-KRR-B