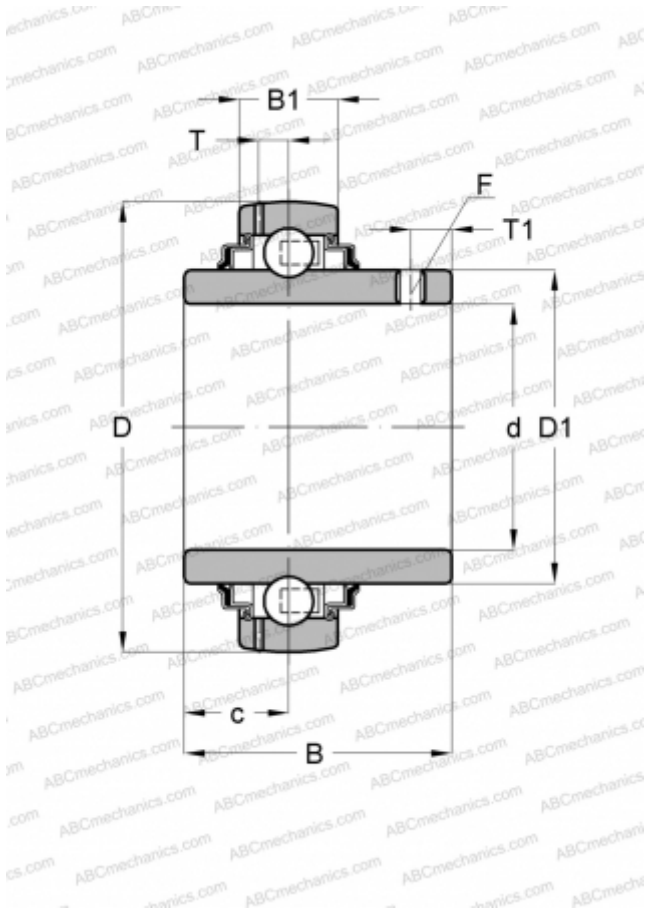


YAR 206-2F SKF

Insert bearings

TYPE: Ball bearings, Radial insert bearings, Grub screw to inner ring, Spherical outer ring, Seals on both side, R seal, relubrication



Technical specification

DIMENSIONS, MM

d	30,000
D	62,000
D1	39,700
B	38,100
C	18,000

MANUFACTURER

[SKF](#)

INTERCHANGE

ABC	UC 206
INA	GYE30-KRR-B
ASAHI	UC 206
FAG	56206
FKL	LE 206 2F.Y
SNR	UC206G2
SLB	UC 206
FYH	UC 206
NTN	UC 206 D1

CALCULATION DATA

Basic dynamic load rating, C	19,500 kN
Basic static load rating, Co	11,200 kN
Fatigue load limit, Pu	0,475 kN
Limiting speed	6300 r/min