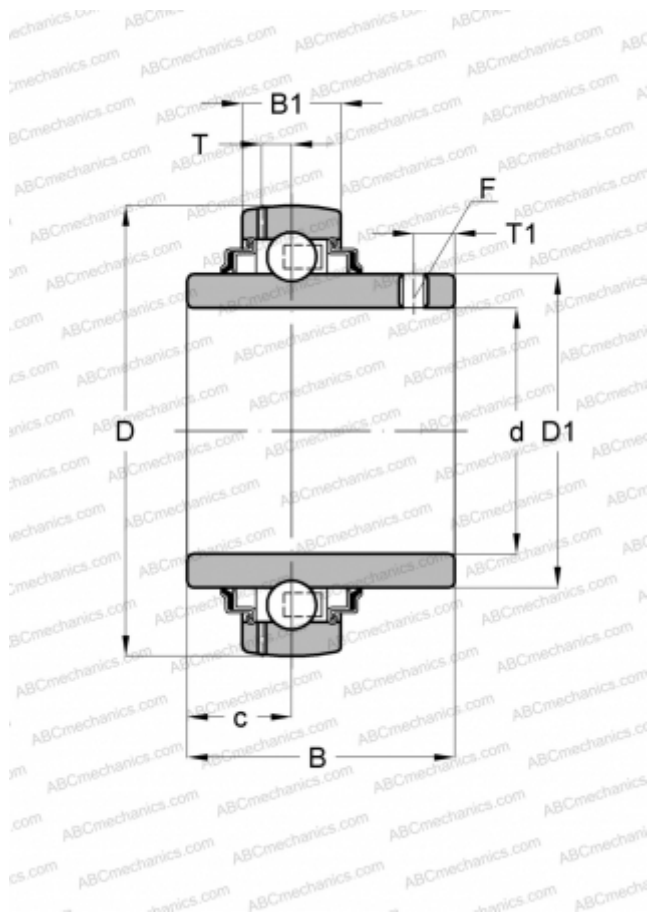


## UC 206 ASAHI

Insert bearings

TYPE: Ball bearings, Radial insert bearings, Grub screw to inner ring, Spherical outer ring, Seals on both side, R seal, relubrication



### Technical specification

#### DIMENSIONS, MM

d	30,000
D	62,000
D1	40,500
B	38,100
B1	19,000
c	15,900
T	5,100
T1	5,000
F	M6 x 0.75

#### MANUFACTURER

[ASAHI](#)

#### INTERCHANGE

ABC	<a href="#">UC 206</a>
INA	<a href="#">GYE30-KRR-B</a>
SKF	<a href="#">YAR 206-2F</a>
FAG	<a href="#">56206</a>
FKL	<a href="#">LE 206 2F.Y</a>
SNR	<a href="#">UC206G2</a>
SLB	<a href="#">UC 206</a>
FYH	<a href="#">UC 206</a>
NTN	<a href="#">UC 206 D1</a>