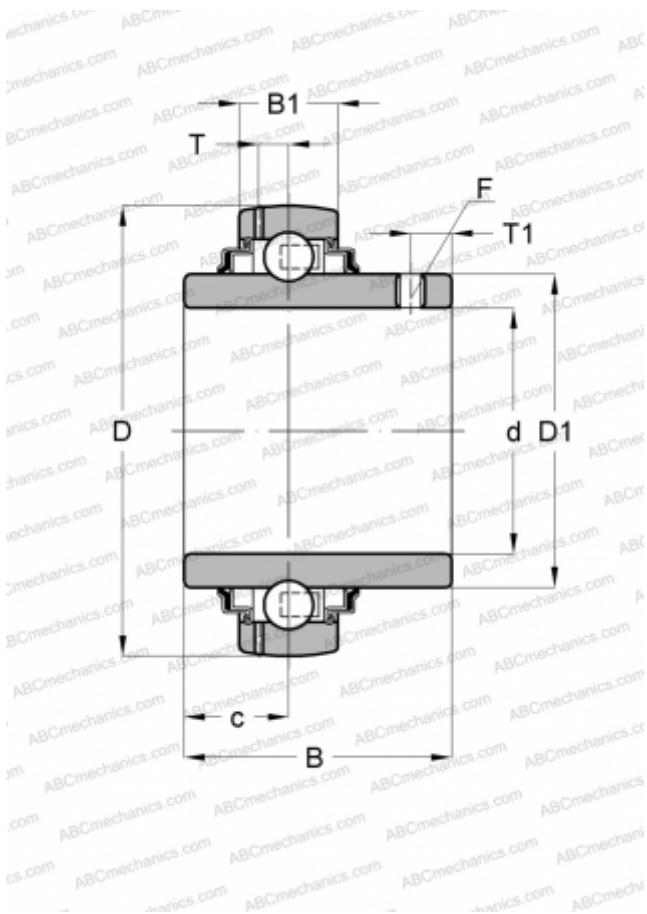


GYE60-KRR-B INA

Insert bearings

TYPE: Ball bearings, Radial insert bearings, Grub screw to inner ring, Spherical outer ring, Seals on both side, R seal, relubrication



Technical specification

DIMENSIONS, MM

d	60,000
D	110,000
D1	76,500
B	65,100
B1	24,000
c	25,400
T	7,200
T1	10,100
F	5

MANUFACTURER

[INA](#)

INTERCHANGE

ABC	UC 212
SKF	YAR 212-2F
ASAHI	UC 212
FKL	LE 212 2F
SNR	UC212G2
SLB	UC 212
FYH	UC 212
NTN	UC 212 D1

CALCULATION DATA

Basic dynamic load rating, C	52,000 kN
Basic static load rating, Co	36,000 kN
Operating temperature min	-20 °C
Operating temperature max	120 °C

REPLACES

GYE60-XL-KRR-B