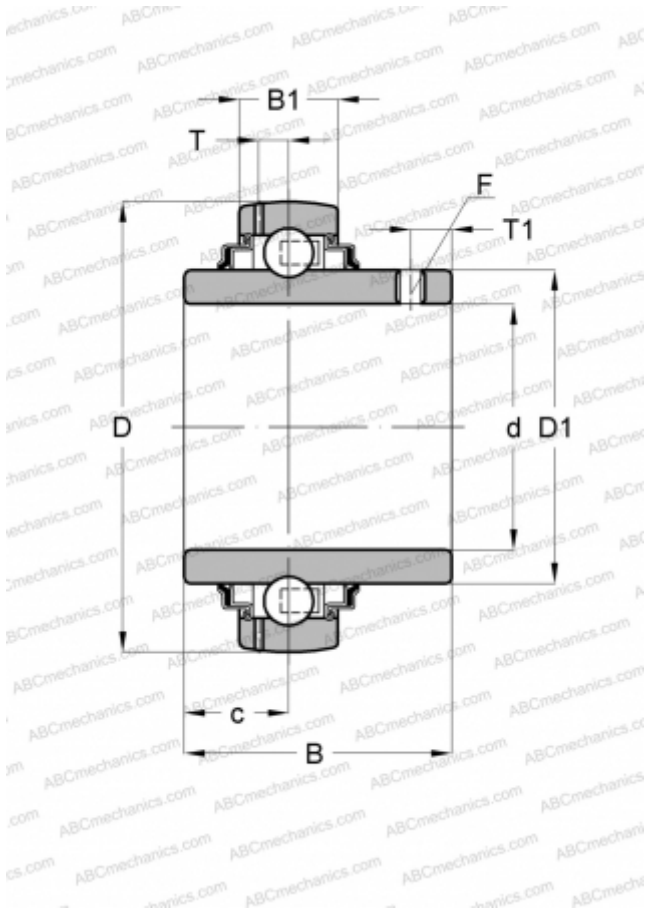


## YAR 212-2F SKF

Insert bearings

TYPE: Ball bearings, Radial insert bearings, Grub screw to inner ring, Spherical outer ring, Seals on both side, R seal, relubrication



### Technical specification

#### DIMENSIONS, MM

d	60,000
D	110,000
D1	75,600
B	65,100
C	26,000

#### MANUFACTURER

[SKF](#)

#### INTERCHANGE

ABC	<a href="#">UC 212</a>
INA	<a href="#">GYE60-KRR-B</a>
ASAHI	<a href="#">UC 212</a>
FKL	<a href="#">LE 212 2F</a>
SNR	<a href="#">UC212G2</a>
SLB	<a href="#">UC 212</a>
FYH	<a href="#">UC 212</a>
NTN	<a href="#">UC 212 D1</a>

#### CALCULATION DATA

Basic dynamic load rating, C	52,700 kN
Basic static load rating, Co	36,000 kN
Fatigue load limit, Pu	1,530 kN
Limiting speed	3400 r/min