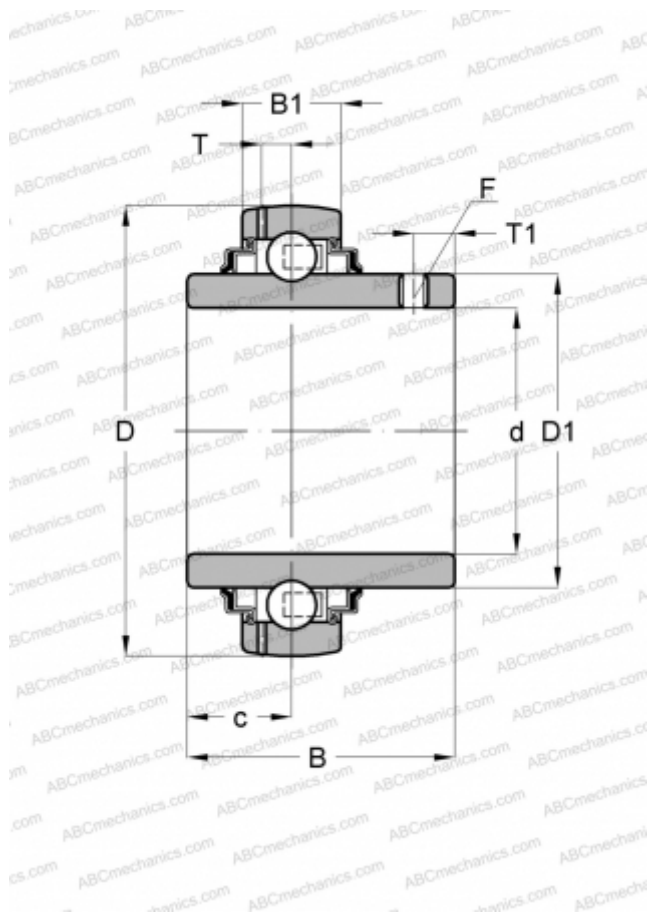


## YAR 213-2F SKF

Insert bearings

TYPE: Ball bearings, Radial insert bearings, Grub screw to inner ring, Spherical outer ring, Seals on both side, R seal, relubrication



### Technical specification

#### DIMENSIONS, MM

d	65,000
D	120,000
D1	82,500
B	68,300
C	27,000

#### MANUFACTURER

[SKF](#)

#### INTERCHANGE

ABC	<a href="#">UC 213</a>
ASAHI	<a href="#">UC 213</a>
FAG	<a href="#">56213</a>
FKL	<a href="#">LE 213 2F</a>
SNR	<a href="#">UC213G2</a>
SLB	<a href="#">UC 213</a>
FYH	<a href="#">UC 213</a>
NTN	<a href="#">UC 213 D1</a>

#### CALCULATION DATA

Basic dynamic load rating, C	57,200 kN
Basic static load rating, Co	40,000 kN
Fatigue load limit, Pu	1,700 kN
Limiting speed	3000 r/min