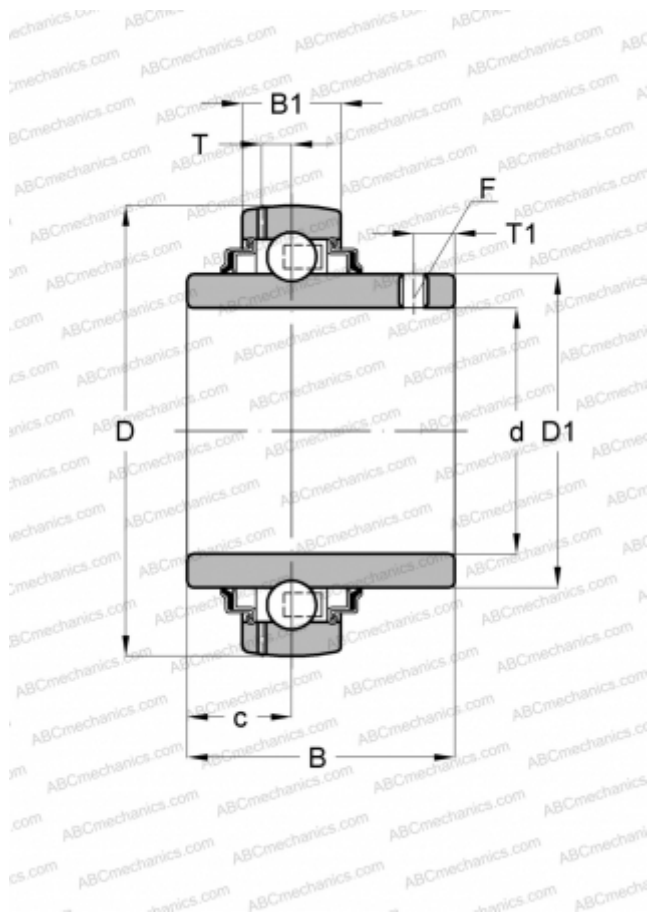


UC 313 ABC

Insert bearings

TYPE: Ball bearings, Radial insert bearings, Grub screw to inner ring, Spherical outer ring, Seals on both side, R seal, relubrication



Technical specification

DIMENSIONS, MM

d	65,000
D	140,000
D1	88,500
B	75,000
B1	38,000
c	30,000
T	12,200
T1	12,000

MANUFACTURER

[ABC](#)

INTERCHANGE

ASAHI	UC 313
SNR	UC313G2
SLB	UC 313
FYH	UC313
NTN	UC 313 D1