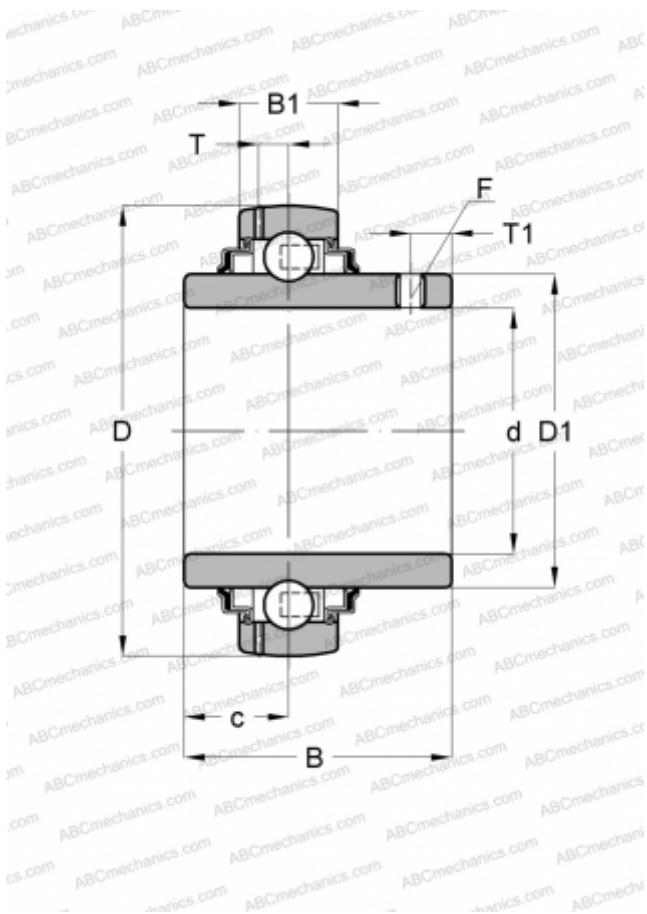


## GYE75-KRR-B INA

Insert bearings

TYPE: Ball bearings, Radial insert bearings, Grub screw to inner ring, Spherical outer ring, Seals on both side, R seal, relubrication



### DIMENSIONS, MM

d	75,000
D	130,000
D1	90,000
B	77,800
B1	28,000
c	33,300
T	8,500
T1	12,700

### DIMENSIONS, MM

F	5
---	---

### MANUFACTURER

[INA](#)

### INTERCHANGE

ABC	<a href="#">UC 215</a>
SKF	<a href="#">YAR 215-2F</a>
ASAHI	<a href="#">UC 215</a>
FAG	<a href="#">56215</a>
FKL	<a href="#">LE 215 2F</a>
SNR	<a href="#">UC215G2</a>
SLB	<a href="#">UC 215</a>
FYH	<a href="#">UC 215</a>
NTN	<a href="#">UC 215 D1</a>

### CALCULATION DATA

Basic dynamic load rating, C	62,000 kN
Basic static load rating, Co	44,500 kN
Operating temperature min	-20 °C
Operating temperature max	120 °C

### REPLACES

GYE75-XL-KRR-B