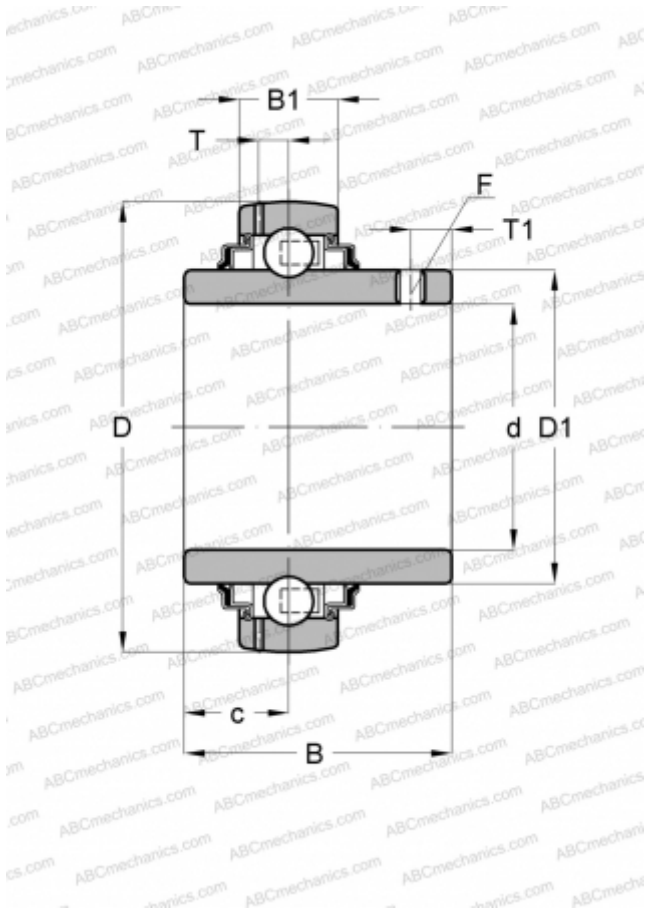


YAR 215-2F SKF

Insert bearings

TYPE: Ball bearings, Radial insert bearings, Grub screw to inner ring, Spherical outer ring, Seals on both side, R seal, relubrication



Technical specification

DIMENSIONS, MM

d	75,000
D	130,000
D1	92,000
B	73,300
C	29,000

MANUFACTURER

[SKF](#)

INTERCHANGE

ABC	UC 215
INA	GYE75-KRR-B
ASAHI	UC 215
FAG	56215
FKL	LE 215 2F
SNR	UC215G2
SLB	UC 215
FYH	UC 215
NTN	UC 215 D1

CALCULATION DATA

Basic dynamic load rating, C	66,300 kN
Basic static load rating, Co	49,000 kN
Fatigue load limit, Pu	2,040 kN
Limiting speed	2600 r/min