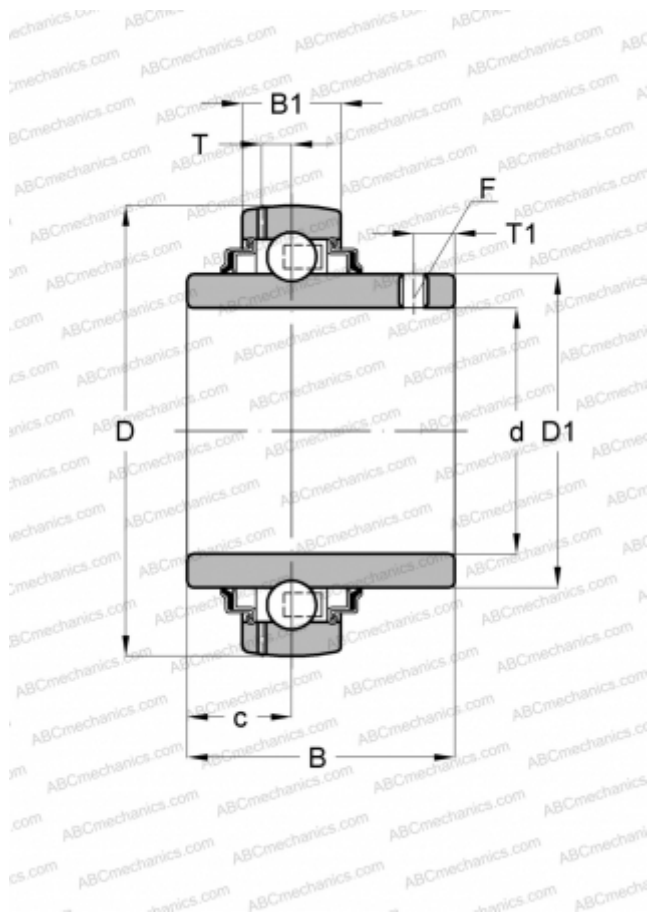


## UC 215 ASAHI

Insert bearings

TYPE: Ball bearings, Radial insert bearings, Grub screw to inner ring, Spherical outer ring, Seals on both side, R seal, relubrication



### Technical specification

#### DIMENSIONS, MM

d	75,000
D	130,000
D1	91,500
B	77,800
B1	30,000
c	33,000
T	9,200
T1	14,000
F	M12 x 1.5

#### MANUFACTURER

[ASAHI](#)

#### INTERCHANGE

ABC	<a href="#">UC 215</a>
INA	<a href="#">GYE75-KRR-B</a>
SKF	<a href="#">YAR 215-2F</a>
FAG	<a href="#">56215</a>
FKL	<a href="#">LE 215 2F</a>
SNR	<a href="#">UC215G2</a>
SLB	<a href="#">UC 215</a>
FYH	<a href="#">UC 215</a>
NTN	<a href="#">UC 215 D1</a>