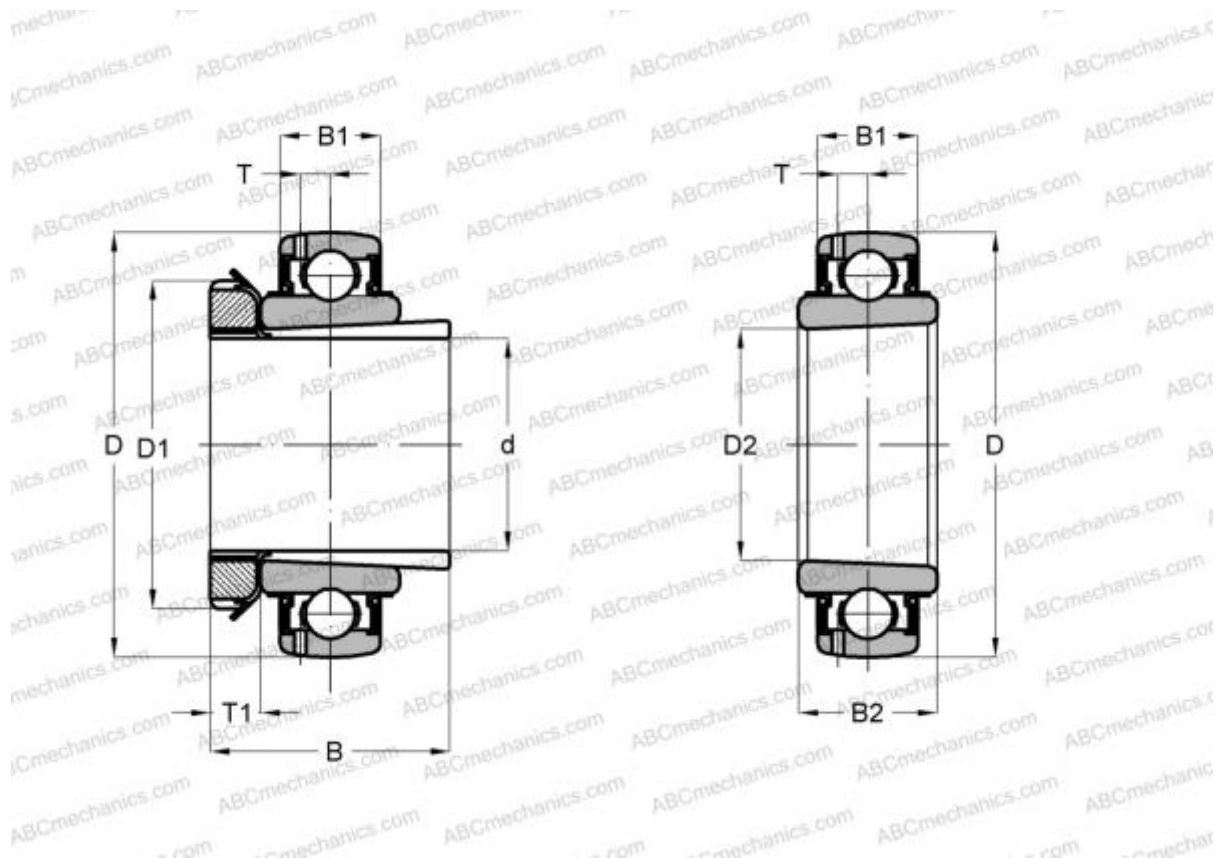


GSH20-2RSR-B ABC

Insert bearings

TYPE: Ball bearings, Radial insert bearings, With adapter sleeve, Spherical outer ring, Seals on both side, RSR seal, relubrication



Technical specification

DIMENSIONS, MM

d	20,000
D	47,000
B	28,000
B1	28,000
B2	15,000
T	4,000

MANUFACTURER [ABC](#)

INTERCHANGE

INA [GSH20-2RSR-B](#)