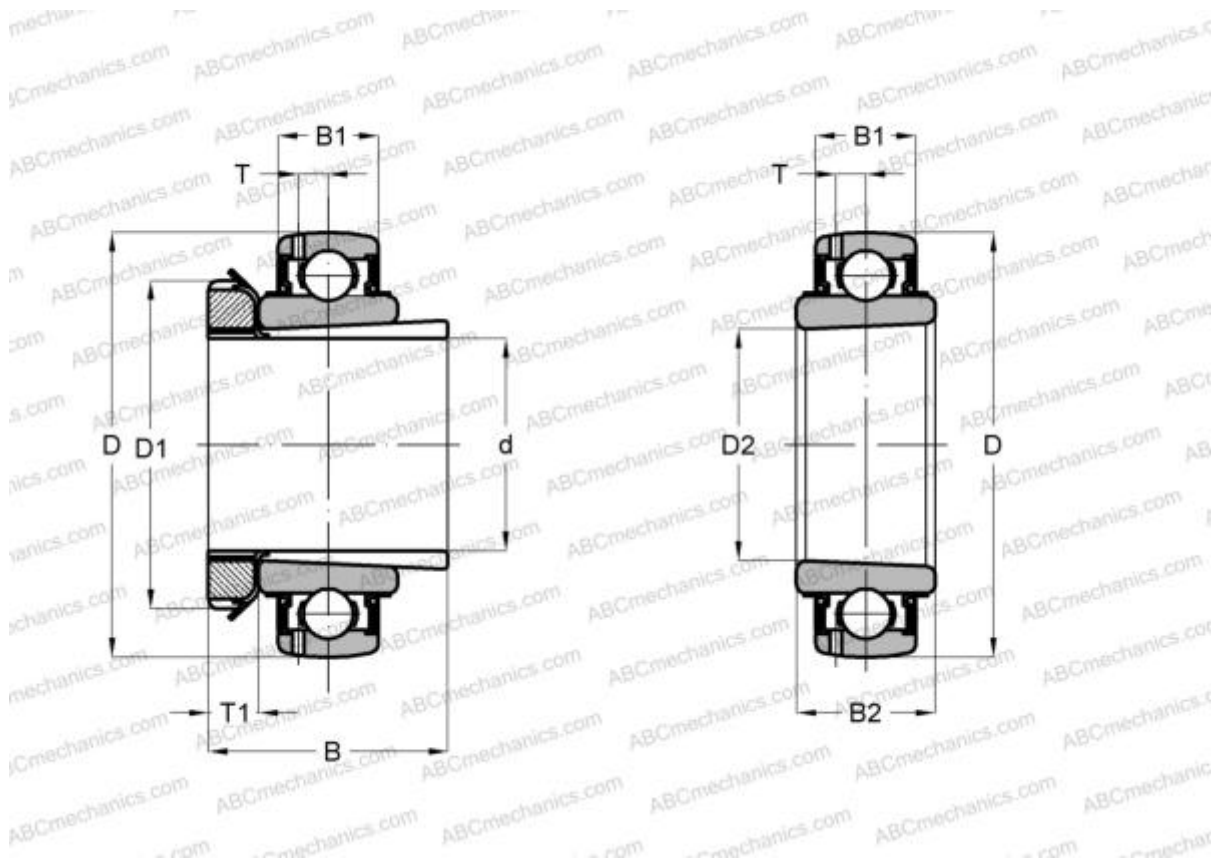


## GSH20-2RSR-B INA

Insert bearings

TYPE: Ball bearings, Radial insert bearings, With adapter sleeve, Spherical outer ring, Seals on both side, RSR seal, relubrication



### Technical specification

#### DIMENSIONS, MM

d	20,000
D	47,000
B	28,000
B1	28,000
B2	15,000
c	7,000
T	4,000

#### MANUFACTURER

[INA](#)

#### INTERCHANGE

ABC [GSH20-2RSR-B](#)

#### CALCULATION DATA

Basic dynamic load rating, C	12,700 kN
Basic static load rating, Co	6,600 kN
Limiting speed	10000 r/min

#### CALCULATION DATA

Operating temperature min	-20 °C
Operating temperature max	120 °C

#### REPLACES

[GSH20-XL-2RSR-B](#)