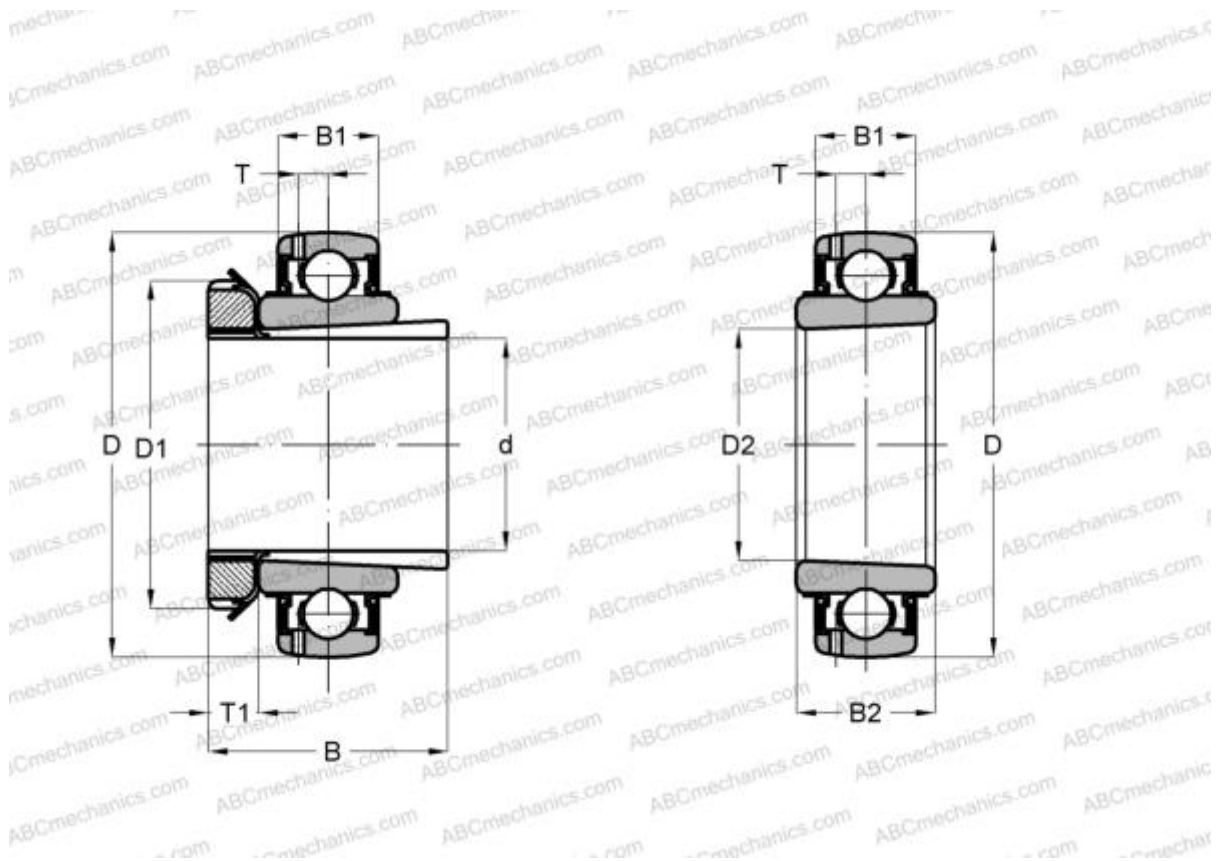


UK 211 + H2311 ABC

Insert bearings

TYPE: Ball bearings, Radial insert bearings, With adapter sleeve, Spherical outer ring, Seals on both side, RSR seal, relubrication



Technical specification

DIMENSIONS, MM

d	50,000
D	100,000
D1	75,000
D2	55,000
B	59,000
B1	24,000
B2	33,000
T	7,300
T1	12,000

MANUFACTURER [ABC](#)

INTERCHANGE

SKF	YSA 211-2FK
ASAHI	UK 211 + H2311
FKL	LK 211 2F

INTERCHANGE

SNR	UK211+H
SLB	UK211
FYH	UK 211
NTN	UK 211 D1