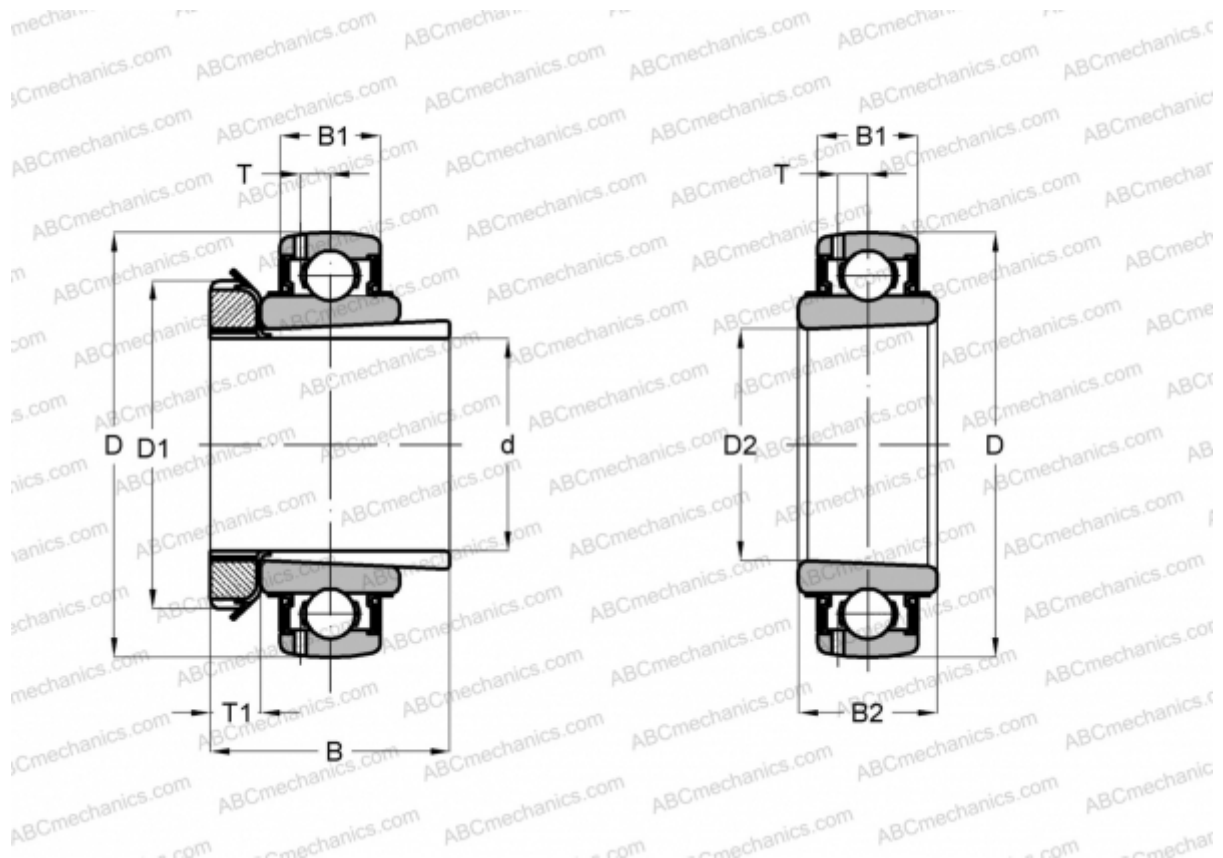


## UK 205 + HA2305 ABC

Insert bearings

TYPE: Ball bearings, Radial insert bearings, With adapter sleeve, Spherical outer ring, Seals on both side, RSR seal, relubrication, inch size



### Technical specification

#### DIMENSIONS, MM

d	17,462
D	51,999
D1	37,998
D2	25,001
B	35,001
B1	16,993
B2	23,012
T	4,496
T1	8,001

**MANUFACTURER** [ABC](#)

#### INTERCHANGE

ASAHI [UK 205 + HA2305](#)