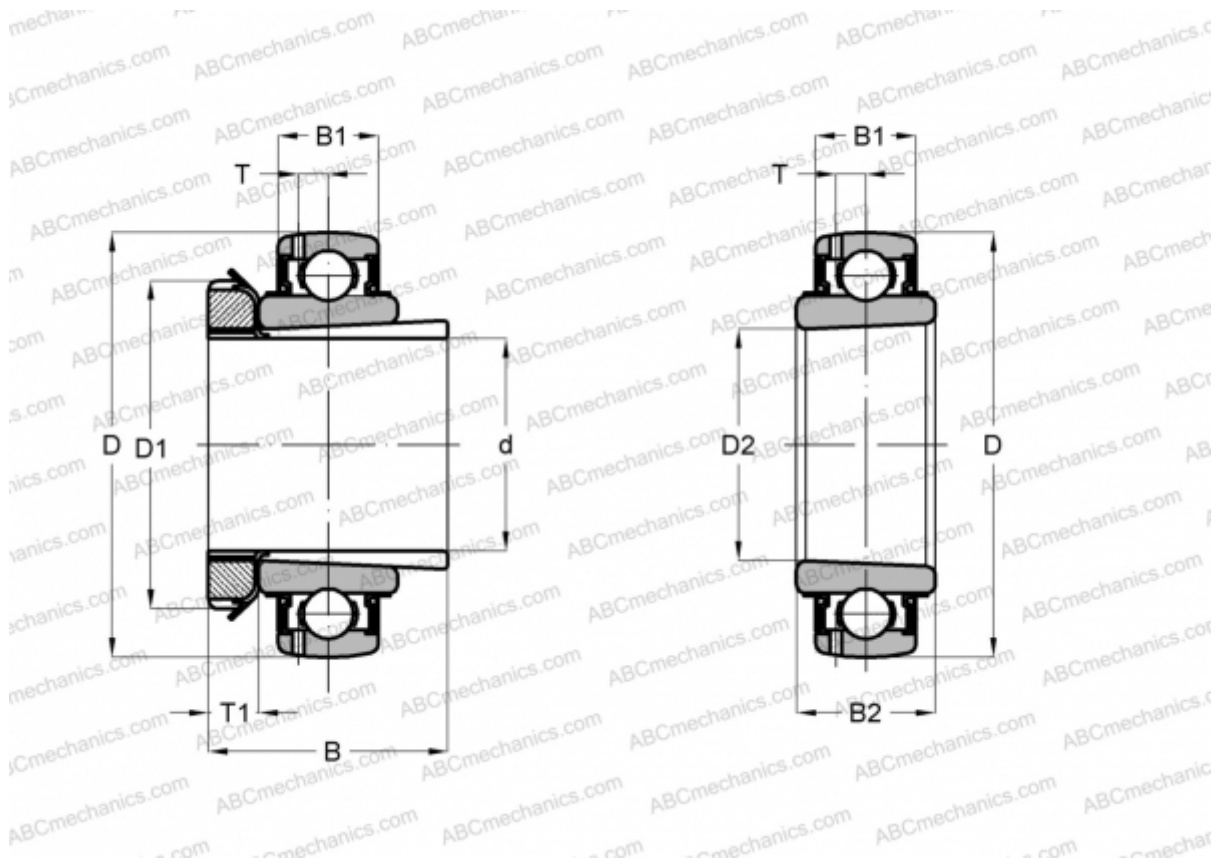


UK 205 + HE2305 ASAHI

Insert bearings

TYPE: Ball bearings, Radial insert bearings, With adapter sleeve, Spherical outer ring, Seals on both side, RSR seal, relubrication, inch size



Technical specification

DIMENSIONS, MM

d	19,050
D	51,999
D1	37,998
D2	25,001
B	35,001
B1	16,993
B2	23,012
T	4,496
T1	8,001

MANUFACTURER [ASAHI](#)

INTERCHANGE

ABC	UK 205 + HE2305
SKF	YSA 205-2FK
SNR	UK205+H-12