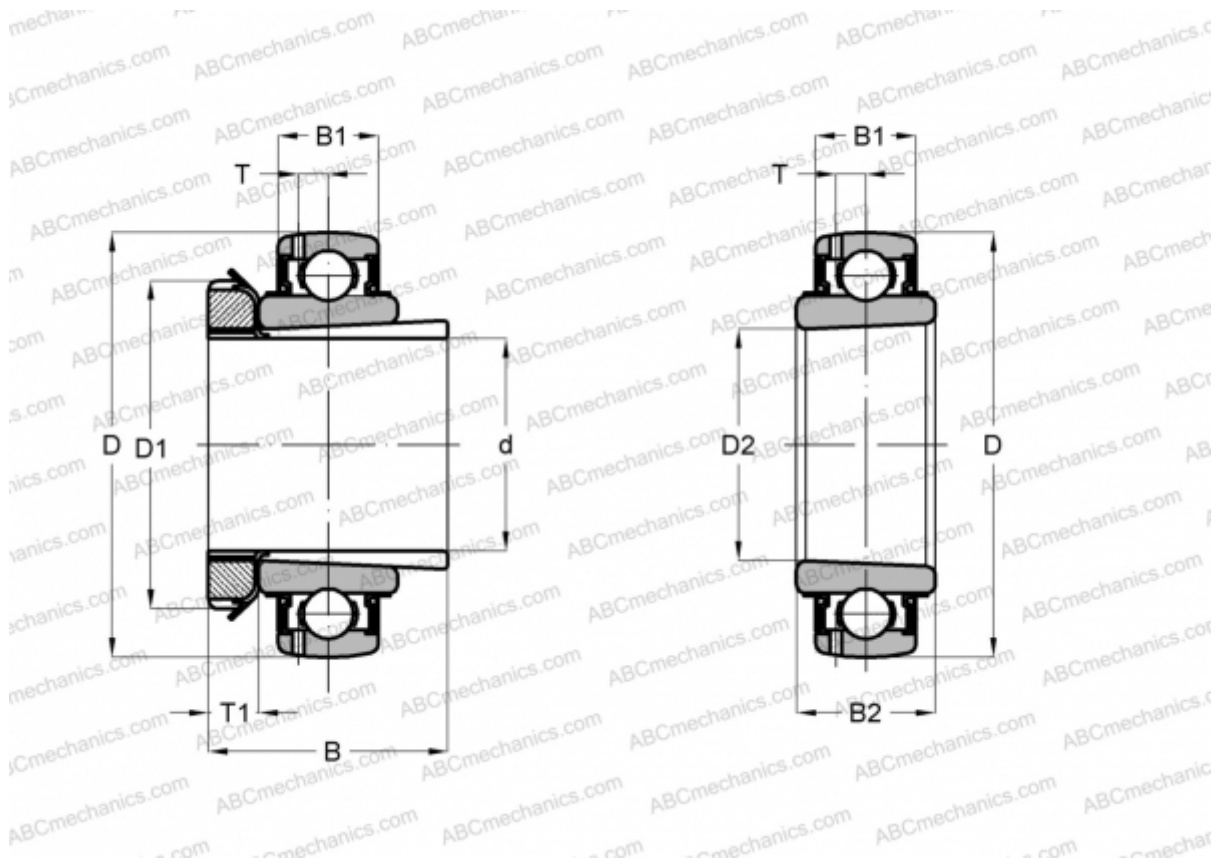


UK 305 + HE2305 ASAHI

Insert bearings

TYPE: Ball bearings, Radial insert bearings, With adapter sleeve, Spherical outer ring, Seals on both side, RSR seal, relubrication, inch size



Technical specification

DIMENSIONS, MM

d	19,050
D	61,999
D1	37,998
D2	25,001
B	35,001
B1	21,006
B2	26,010
T	6,096
T1	8,001

MANUFACTURER [ASAHI](#)

INTERCHANGE

ABC	UK 305 + HE2305
SNR	UK305+H-12