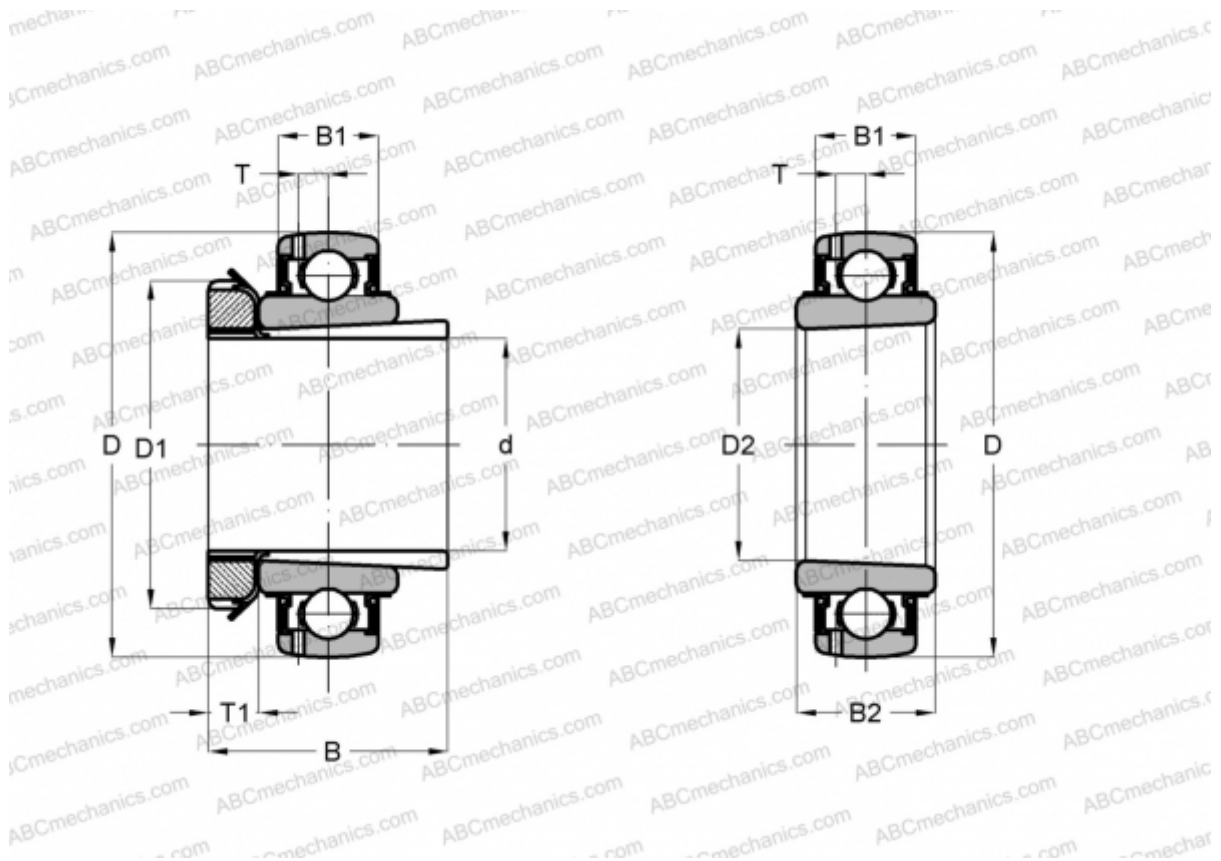


UK 206 + HS2306 ABC

Insert bearings

TYPE: Ball bearings, Radial insert bearings, With adapter sleeve, Spherical outer ring, Seals on both side, RSR seal, relubrication, inch size



Technical specification

DIMENSIONS, MM

d	22,225
D	61,999
D1	45,009
D2	30,000
B	37,998
B1	18,999
B2	26,010
T	5,105
T1	8,001

MANUFACTURER [ABC](#)

INTERCHANGE

ASAHI	UK 206 + HS2306
SNR	UK206+H-14