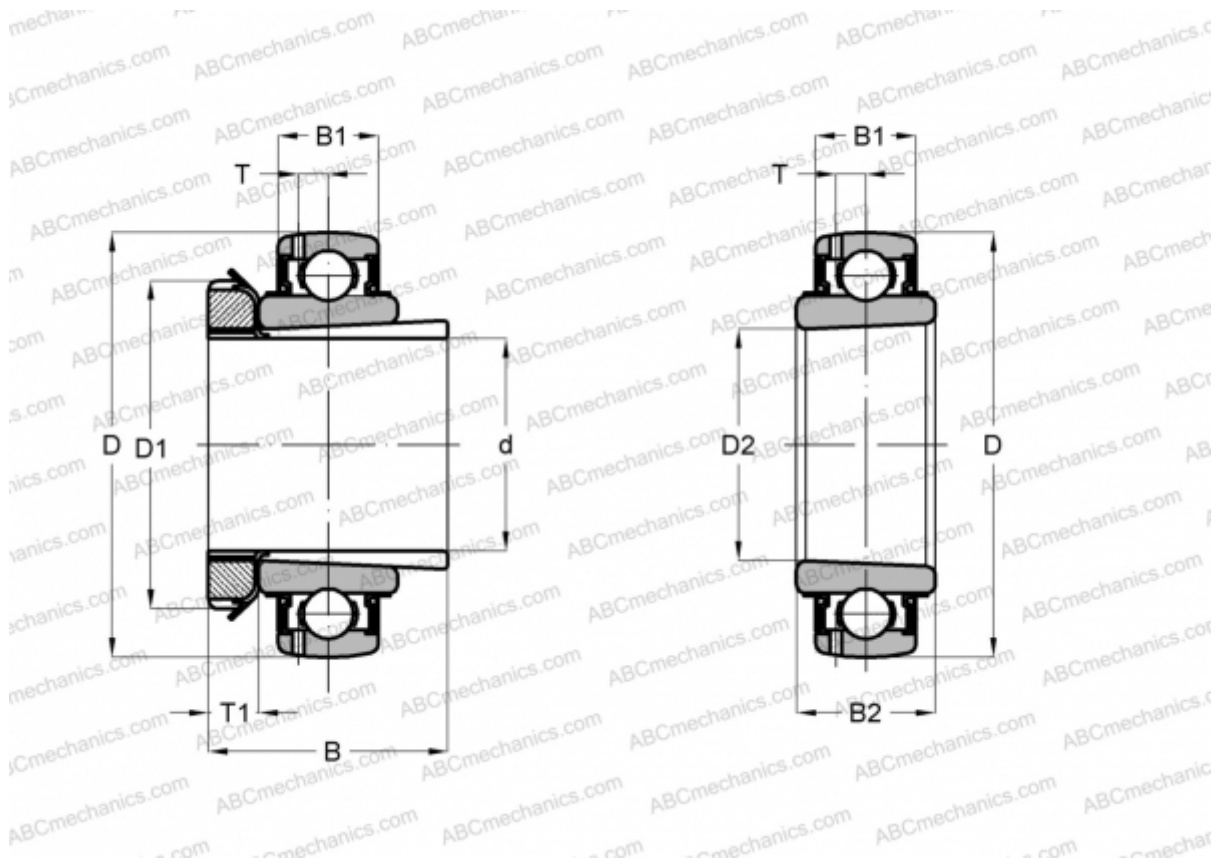


## UK 206 + HS2306 ASAHI

Insert bearings

TYPE: Ball bearings, Radial insert bearings, With adapter sleeve, Spherical outer ring, Seals on both side, RSR seal, relubrication, inch size



### Technical specification

#### DIMENSIONS, MM

d	22,225
D	61,999
D1	45,009
D2	30,000
B	37,998
B1	18,999
B2	26,010
T	5,105
T1	8,001

**MANUFACTURER** [ASAHI](#)

#### INTERCHANGE

ABC	<a href="#">UK 206 + HS2306</a>
SNR	<a href="#">UK206+H-14</a>