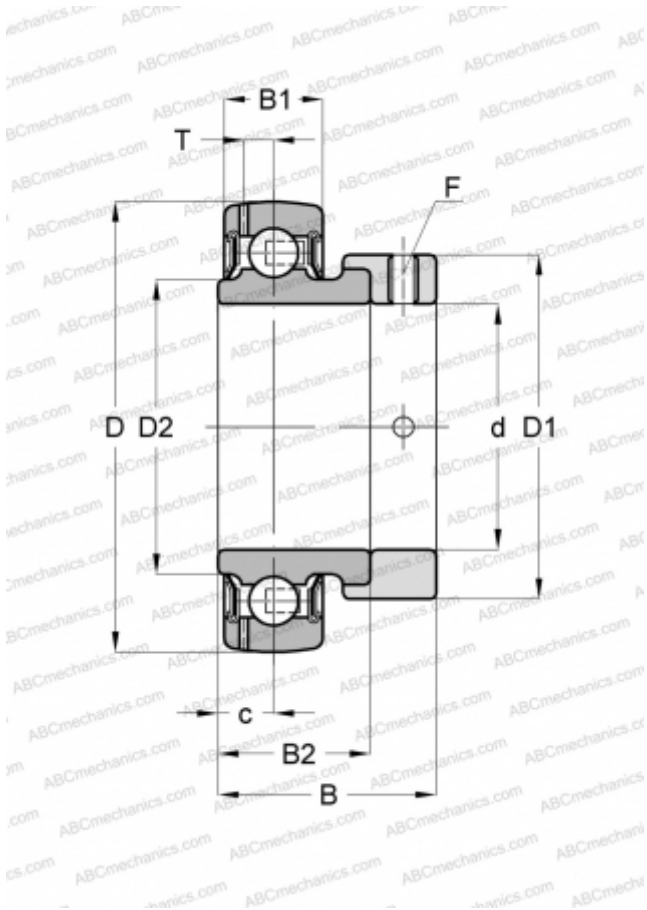


## FH201 PEER

Insert bearings

TYPE: Ball bearings, Radial insert bearings, With eccentric locking collar, Spherical outer ring, Seals on both side, P seal, relubrication



### Technical specification

#### DIMENSIONS, MM

d	12,000
D	40,000
B	28,600
B1	12,000
B2	19,000

#### MANUFACTURER

[PEER](#)

#### INTERCHANGE

ABC	<a href="#">GRAE12-NPP-B</a>
ASAHI	<a href="#">KH 201 AE</a>
INA	<a href="#">GRAE12-NPP-B</a>
AMI	<a href="#">KH201</a>
NTN	<a href="#">AEL201</a>
NSK	<a href="#">EN201S</a>
FYH	<a href="#">SA201</a>
KOYO	<a href="#">SA201</a>
IPTCI	<a href="#">SA201</a>
NEUTRAL	<a href="#">UE201</a>
SNR	<a href="#">ES201G2</a>