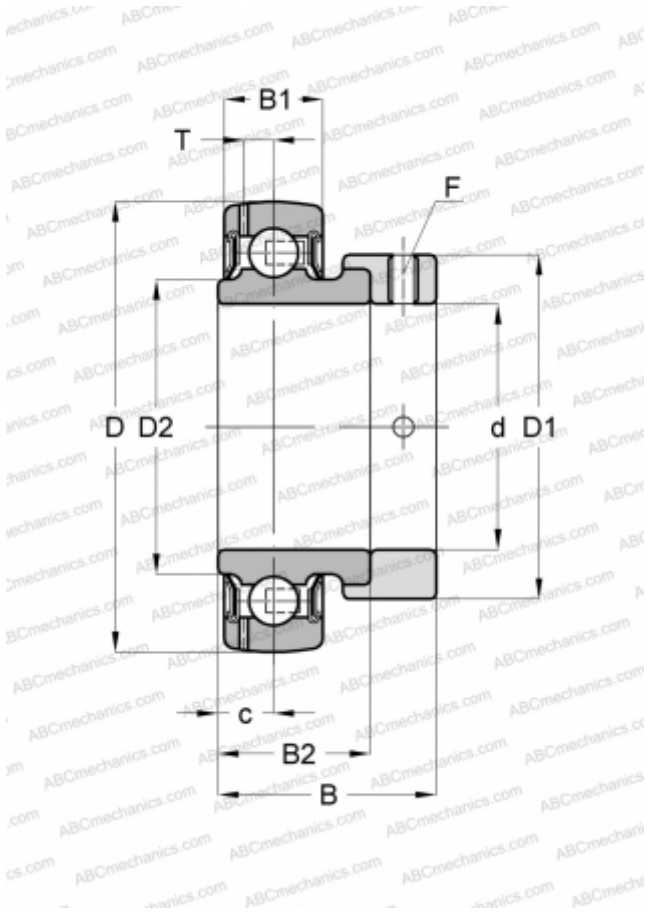


## KH207 AMI

Insert bearings

TYPE: Ball bearings, Radial insert bearings, With eccentric locking collar, Spherical outer ring, Seals on both side, P seal, relubrication



### DIMENSIONS, MM

d	35,000
D	72,000
B	39,000
B1	19,000
B2	25,400

### MANUFACTURER

[AMI](#)

### INTERCHANGE

ABC	<a href="#">GRAE35-NPP-B</a>
ASAHI	<a href="#">KH 207 AE</a>
SKF	<a href="#">YET 207</a>
INA	<a href="#">GRAE35-NPP-B</a>
NTN	<a href="#">AEL207</a>
NSK	<a href="#">EN207S</a>
FYH	<a href="#">SA207</a>
KOYO	<a href="#">SA207</a>
IPTCI	<a href="#">SA207</a>
PEER	<a href="#">FH207</a>
RHP	<a href="#">1235-35 ECG</a>
NEUTRAL	<a href="#">UE207</a>
FAFNIR	<a href="#">GRAE35RRB</a>
MRC	<a href="#">YET207</a>
DODGE	<a href="#">INS-SXV-35M</a>
LINK-BELT	<a href="#">WG2M35UL</a>
FAG	<a href="#">16207</a>
SNR	<a href="#">ES207G2</a>