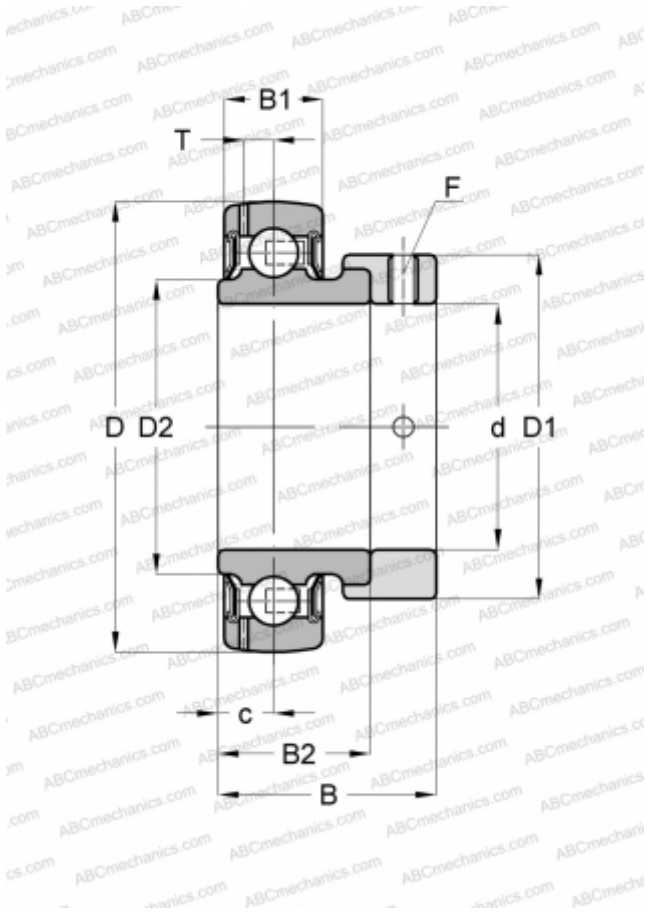


YET207 MRC

Insert bearings

TYPE: Ball bearings, Radial insert bearings, With eccentric locking collar, Spherical outer ring, Seals on both side, P seal, relubrication



DIMENSIONS, MM

d	35,000
D	72,000
B	39,000
B1	19,000
B2	25,400

MANUFACTURER

[MRC](#)

INTERCHANGE

ABC	GRAE35-NPP-B
ASAHI	KH 207 AE
SKF	YET 207
INA	GRAE35-NPP-B
AMI	KH207
NTN	AEL207
NSK	EN207S
FYH	SA207
KOYO	SA207
IPTCI	SA207
PEER	FH207
RHP	1235-35 ECG
NEUTRAL	UE207
FAFNIR	GRAE35RRB
DODGE	INS-SXV-35M
LINK-BELT	WG2M35UL
FAG	16207
SNR	ES207G2