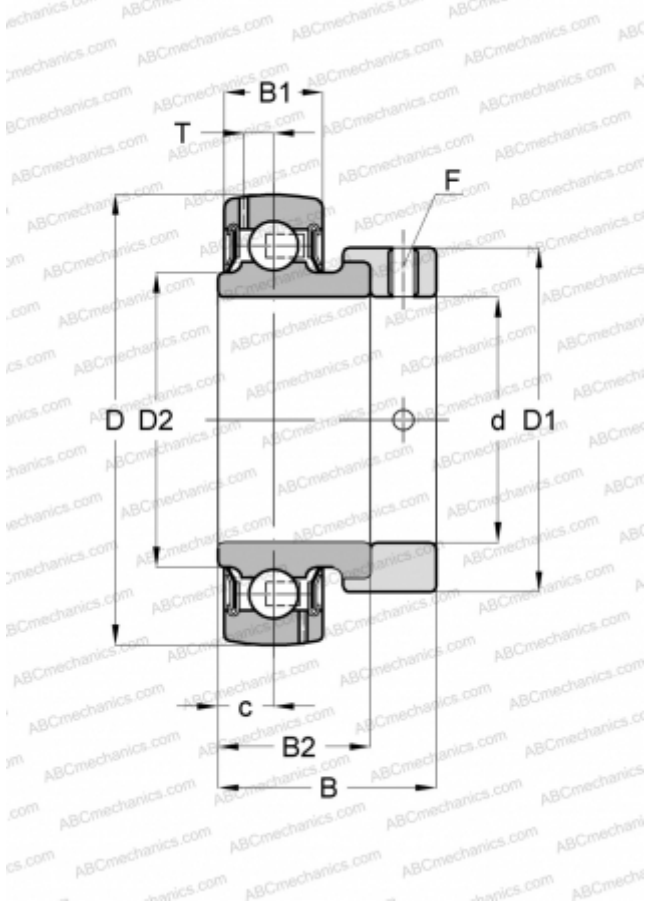


YET 203-008 SKF

Insert bearings

TYPE: Ball bearings, Radial insert bearings, With eccentric locking collar, Spherical outer ring, Seals on both side, P seal, relubrication, inch size



DIMENSIONS, MM

d	12,700
D	40,000
D1	27,200
D2	24,200
B	28,600
B1	12,000
B2	19,100

MANUFACTURER

[SKF](#)

INTERCHANGE

ABC	KH 201-8 AE
ASAHI	KH 201-8 AE
AMI	KH201-8
NTN	AEL201-008
NSK	EN201-8S
FYH	SA201-8
KOYO	SA201-8
IPTCI	SA201-8
PEER	FH201-8
NEUTRAL	UE201-8
FAFNIR	GRA008RRB
DODGE	INS-SXV-008
BROWNING	VE-108
HUB-CITY	B220x1/2
SNR	ES201-08G2

CALCULATION DATA

Basic dynamic load rating, C	9,560 kN
Basic static load rating, Co	4,750 kN
Fatigue load limit, Pu	0,200 kN
Limiting speed	9500 r/min