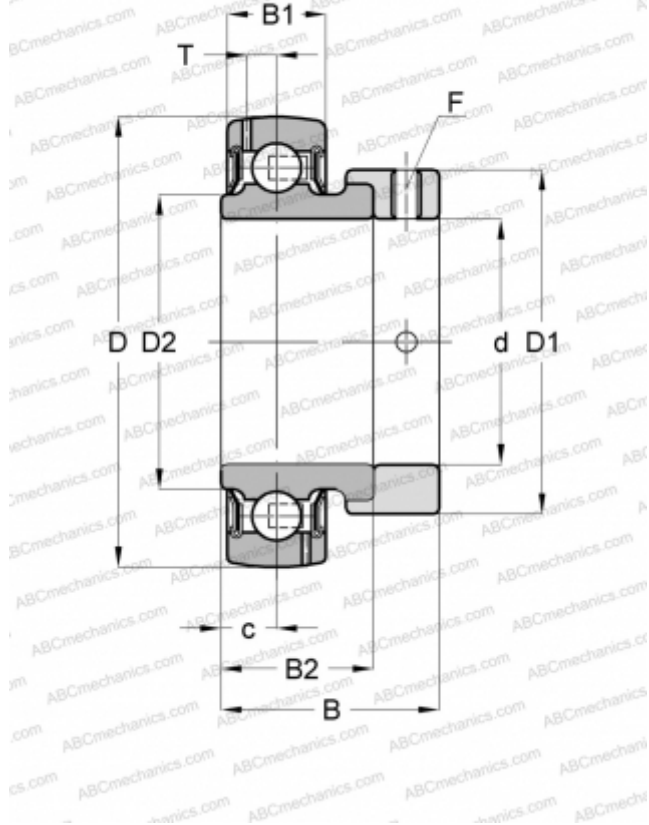


SA201-8 IPTCI

Insert bearings

TYPE: Ball bearings, Radial insert bearings, With eccentric locking collar, Spherical outer ring, Seals on both side, P seal, relubrication, inch size



Technical specification

DIMENSIONS, MM

d	12,700
D	40,000
D1	28,575
B	28,575
B1	11,989
B2	19,101
c	6,502

MANUFACTURER

[IPTCI](#)

INTERCHANGE

ABC	KH 201-8 AE
SKF	YET 203-008
ASAHI	KH 201-8 AE
AMI	KH201-8
NTN	AEL201-008
NSK	EN201-8S
FYH	SA201-8
KOYO	SA201-8
PEER	FH201-8
NEUTRAL	UE201-8
FAFNIR	GRA008RRB
DODGE	INS-SXV-008
BROWNING	VE-108
HUB-CITY	B220x1/2
SNR	ES201-08G2