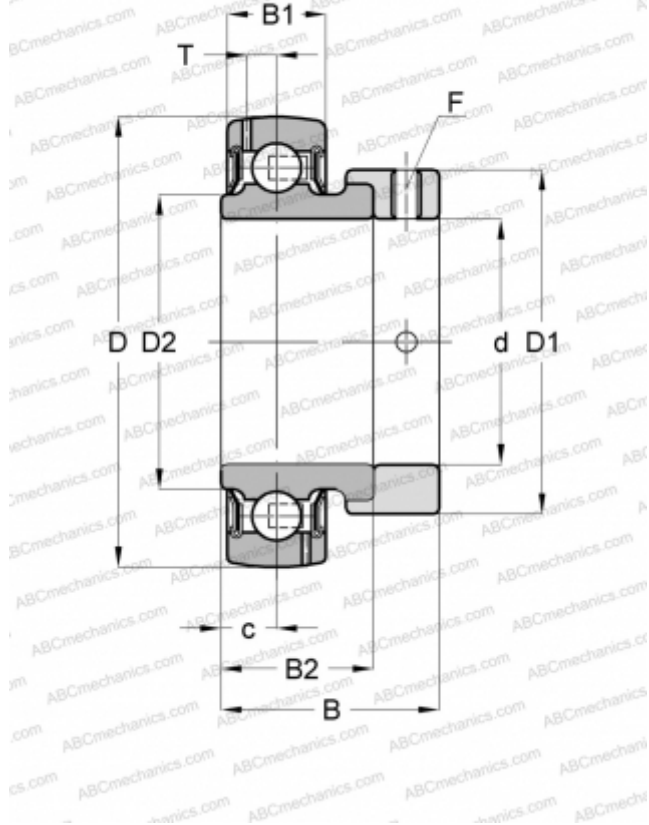


## UE201-8 NEUTRAL

Insert bearings

TYPE: Ball bearings, Radial insert bearings, With eccentric locking collar, Spherical outer ring, Seals on both side, P seal, relubrication, inch size



### Technical specification

#### DIMENSIONS, MM

d	12,700
D	40,000
D1	28,575
B	28,575
B1	11,989
B2	19,101
c	6,502

#### MANUFACTURER

[NEUTRAL](#)

#### INTERCHANGE

ABC	<a href="#">KH 201-8 AE</a>
SKF	<a href="#">YET 203-008</a>
ASAHI	<a href="#">KH 201-8 AE</a>
AMI	<a href="#">KH201-8</a>
NTN	<a href="#">AEL201-008</a>
NSK	<a href="#">EN201-8S</a>
FYH	<a href="#">SA201-8</a>
KOYO	<a href="#">SA201-8</a>
IPTCI	<a href="#">SA201-8</a>
PEER	<a href="#">FH201-8</a>
FAFNIR	<a href="#">GRA008RRB</a>
DODGE	<a href="#">INS-SXV-008</a>
BROWNING	<a href="#">VE-108</a>
HUB-CITY	<a href="#">B220x1/2</a>
SNR	<a href="#">ES201-08G2</a>