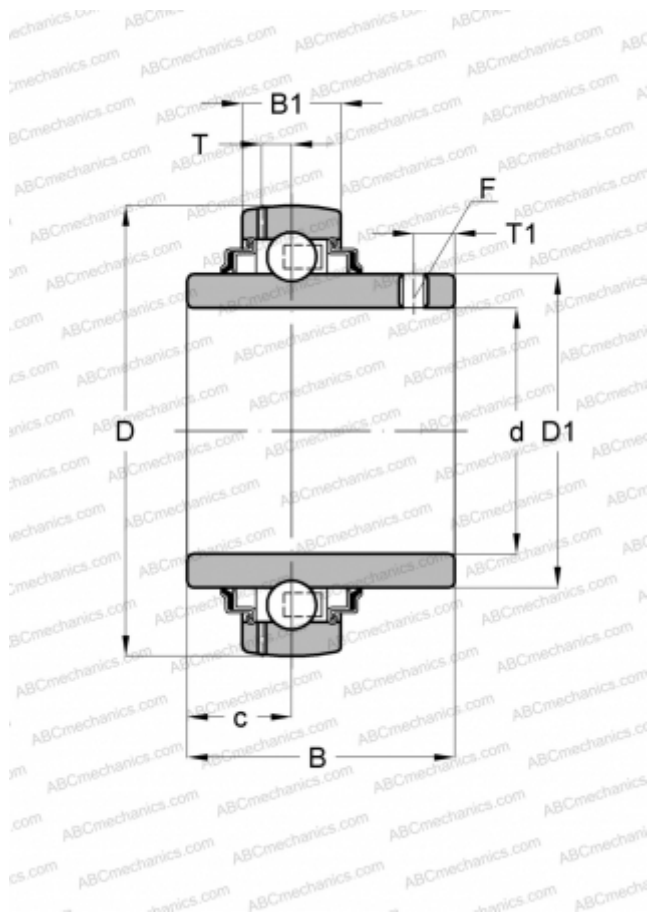


LE 203 12 2F FKL

Insert bearings

TYPE: Ball bearings, Radial insert bearings, Grub screw to inner ring, Spherical outer ring, Seals on both side, R seal, relubrication



Technical specification

DIMENSIONS, MM

d	12,000
D	40,000
D1	24,700
B	26,000
B1	15,000
c	10,000
T	4,000
T1	4,000

MANUFACTURER

[FKL](#)

INTERCHANGE

ABC	UCW 201
INA	GYE12-KRR-B
SKF	YAR 203/12-2F
ASAHI	UCW 201