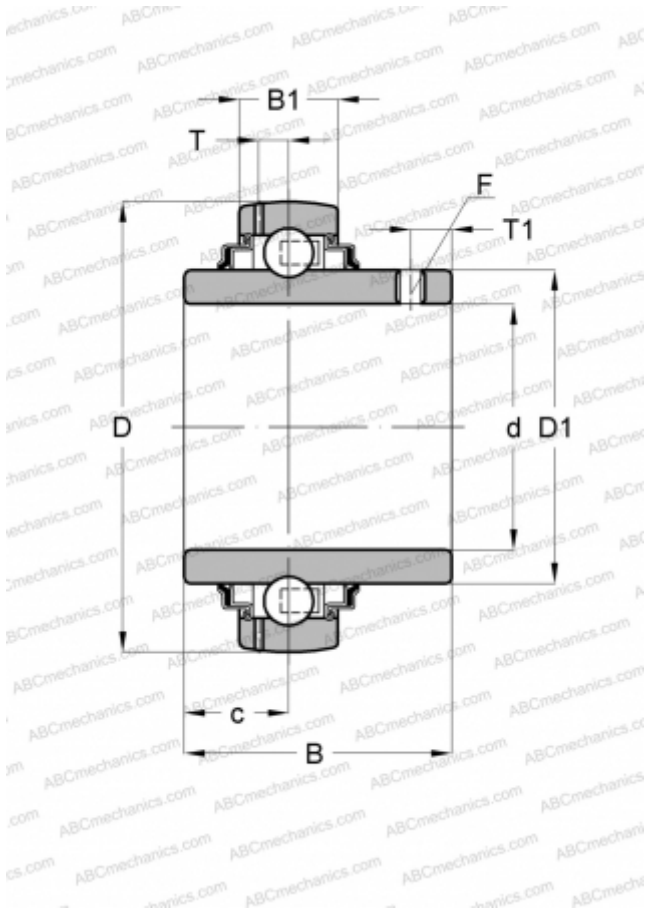


LE 206 2F.Y FKL

Insert bearings

TYPE: Ball bearings, Radial insert bearings, Grub screw to inner ring, Spherical outer ring, Seals on both side, R seal, relubrication



Technical specification

DIMENSIONS, MM

d	30,000
D	62,000
D1	40,500
B	38,100
B1	19,000
c	15,900
T	5,100
T1	5,000

MANUFACTURER

[FKL](#)

INTERCHANGE

ABC	UC 206
INA	GYE30-KRR-B
SKF	YAR 206-2F
ASAHI	UC 206
FAG	56206
SNR	UC206G2
SLB	UC 206
FYH	UC 206
NTN	UC 206 D1