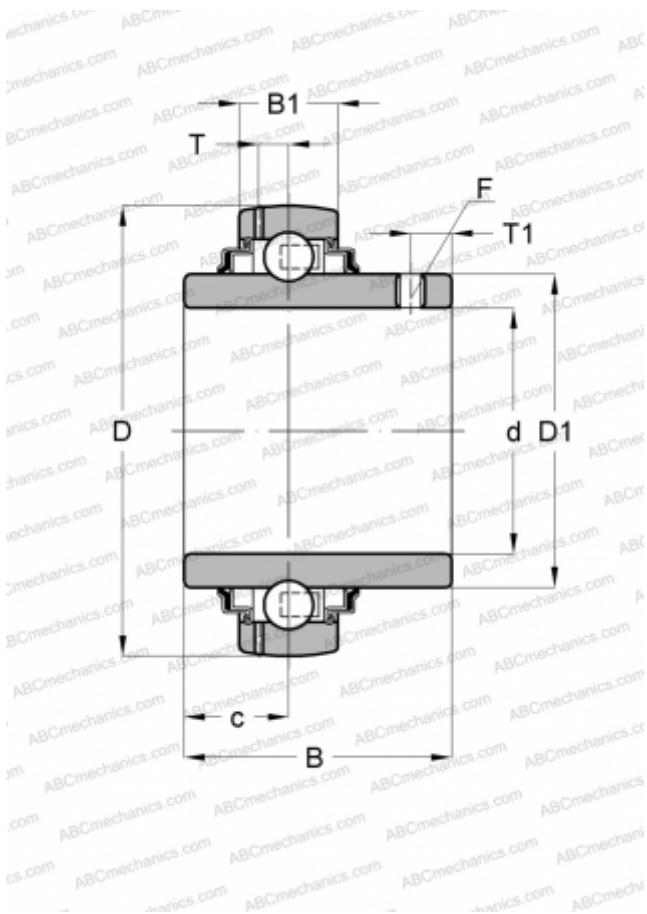


LE 212 2F FKL

Insert bearings

TYPE: Ball bearings, Radial insert bearings, Grub screw to inner ring, Spherical outer ring, Seals on both side, R seal, relubrication



Technical specification

DIMENSIONS, MM

d	60,000
D	110,000
D1	77,000
B	65,100
B1	26,000
c	25,400
T	7,700
T1	10,000

MANUFACTURER

[FKL](#)

INTERCHANGE

ABC	UC 212
INA	GYE60-KRR-B
SKF	YAR 212-2F
ASAHI	UC 212
SNR	UC212G2
SLB	UC 212
FYH	UC 212
NTN	UC 212 D1