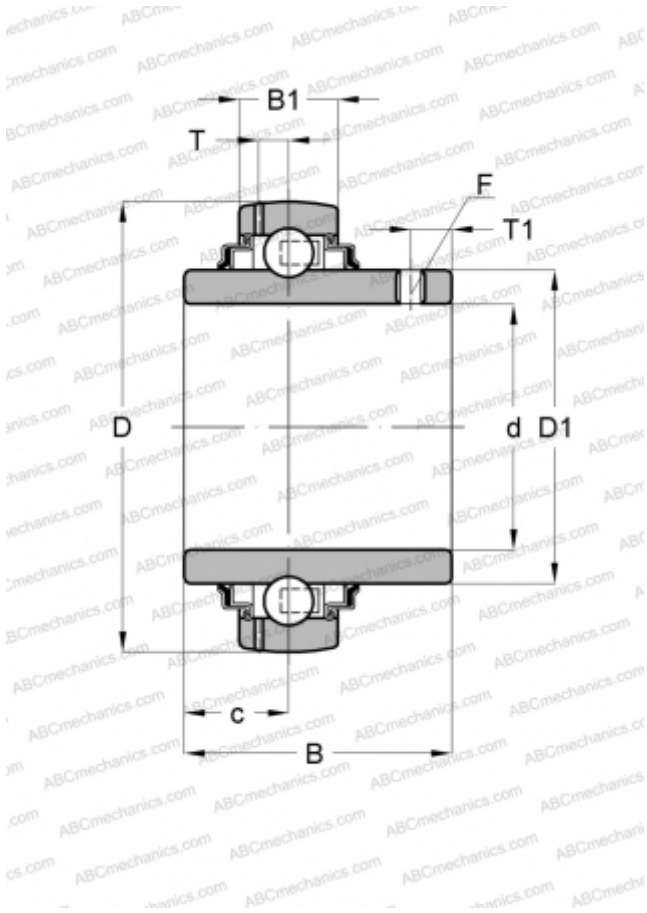


56213 FAG

Insert bearings

TYPE: Ball bearings, Radial insert bearings, Grub screw to inner ring, Spherical outer ring, Seals on both side, R seal, relubrication



Technical specification

DIMENSIONS, MM

d	65,000
D	120,000
D1	82,100
B	65,100
B1	27,000
c	25,400
T	8,300
T1	10,000

MANUFACTURER

[FAG](#)

INTERCHANGE

ABC	UC 213
SKF	YAR 213-2F
ASAHI	UC 213
FKL	LE 213 2F
SNR	UC213G2
SLB	UC 213
FYH	UC 213
NTN	UC 213 D1