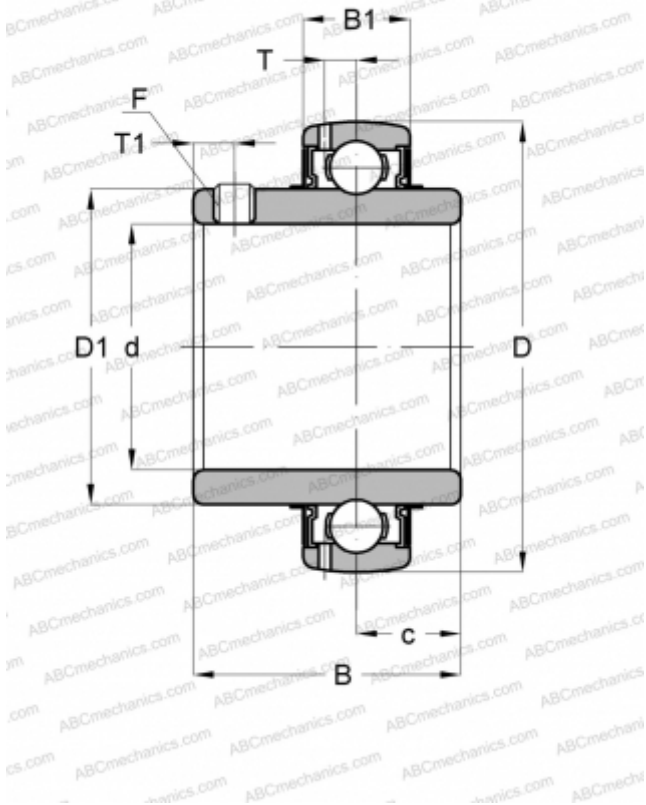


UCW 201-8 ASAHI

Insert bearings

TYPE: Ball bearings, Radial insert bearings, Grub screw to inner ring, Spherical outer ring, Seals on both side, R seal, relubrication, inch size



Technical specification

DIMENSIONS, MM

d	12,700
D	40,000
D1	24,689
B	26,010
B1	15,011
c	10,008
T	3,988
T1	3,988
F	10-32

MANUFACTURER

[ASAHI](#)

INTERCHANGE

ABC

[UCW 201-8](#)

SKF

[YAR 203-008-2F](#)