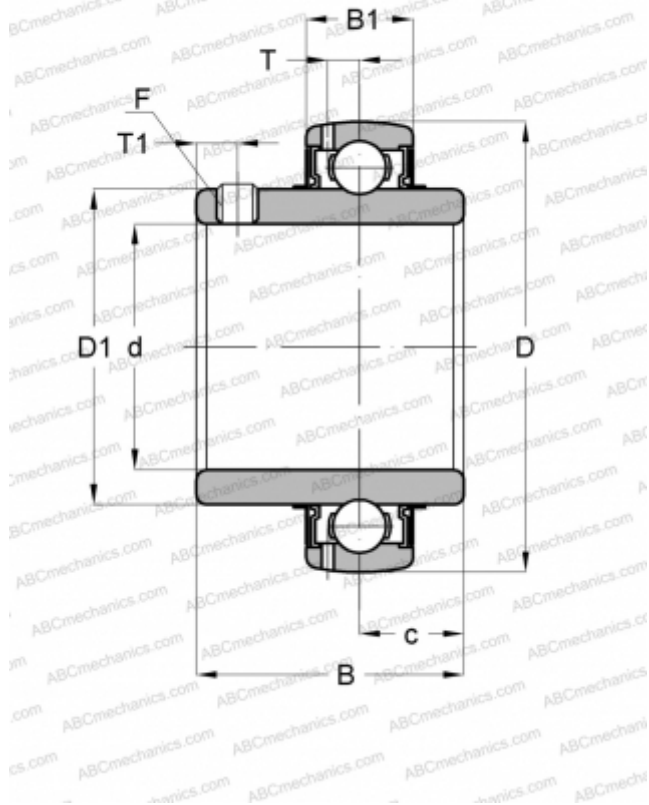


## UC 205-15 ASAHI

Insert bearings

TYPE: Ball bearings, Radial insert bearings, Grub screw to inner ring, Spherical outer ring, Seals on both side, R seal, relubrication, inch size



### Technical specification

#### DIMENSIONS, MM

d	23,812
D	51,999
D1	34,011
B	34,087
B1	16,993
c	14,300
T	4,496
T1	5,004
F	1/4-28

#### MANUFACTURER

[ASAHI](#)

#### INTERCHANGE

ABC	<a href="#">UC 205-15</a>
SKF	<a href="#">YAR 205-015-2F</a>
SNR	<a href="#">UC205-15G2</a>
SLB	<a href="#">UC 205-15</a>
FYH	<a href="#">UC 205-15</a>
NTN	<a href="#">UC 205-015 D1</a>