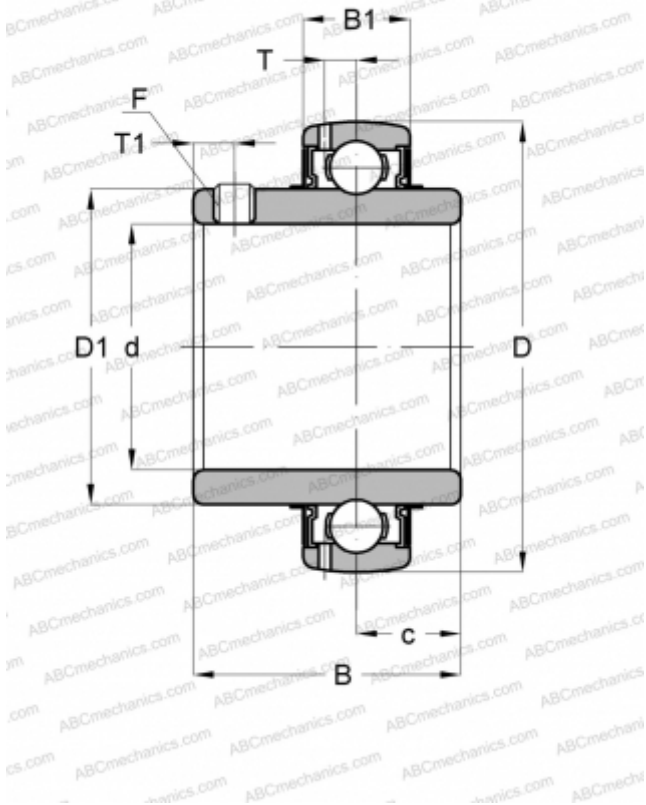


YAR 205-015-2F SKF

Insert bearings

TYPE: Ball bearings, Radial insert bearings, Grub screw to inner ring, Spherical outer ring, Seals on both side, R seal, relubrication, inch size



Technical specification

DIMENSIONS, MM

d	23,813
D	52,000
D1	33,700
B	34,100
C	15,000

MANUFACTURER

[SKF](#)

INTERCHANGE

ABC	UC 205-15
ASAHI	UC 205-15
SNR	UC205-15G2
SLB	UC 205-15
FYH	UC 205-15
NTN	UC 205-015 D1

CALCULATION DATA

Basic dynamic load rating, C	14,000 kN
Basic static load rating, Co	7,800 kN
Fatigue load limit, Pu	0,335 kN
Limiting speed	7000 r/min