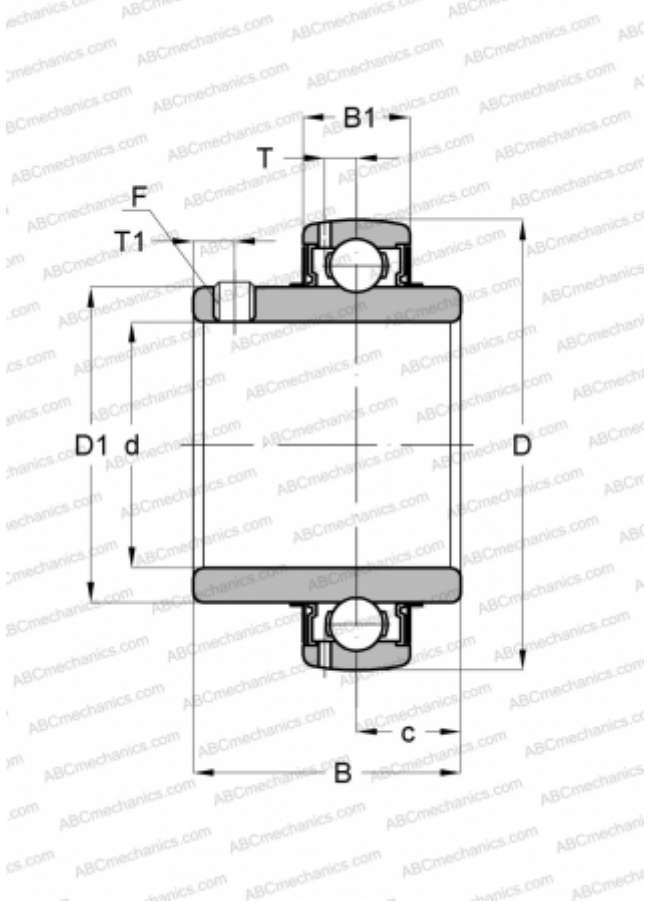


## GY1108-KRR-B-AS2/V INA

Insert bearings

TYPE: Ball bearings, Radial insert bearings, Grub screw to inner ring, Spherical outer ring, Seals on both side, R seal, relubrication, inch size



### DIMENSIONS, MM

d	38,100
D	80,000
D2	52,300
B	49,200
B1	21,000
B2	49,200
c	19,000
T	6,400

### DIMENSIONS, MM

F	5/32
---	------

### MANUFACTURER

[INA](#)

### INTERCHANGE

ABC	<a href="#">UC 208-24</a>
ASAHI	<a href="#">UC208-24</a>
SKF	<a href="#">YAR 208-108-2F</a>
IPTCI	<a href="#">UC208-24</a>
AMI	<a href="#">UC208-24</a>
BROWNING	<a href="#">VS-224</a>
DODGE	<a href="#">INS-SC-108</a>
FAFNIR	<a href="#">Y1108KRRB</a>
HUB-CITY	<a href="#">YW250-1-1/2</a>
LINK-BELT	<a href="#">UG224NL</a>
PEER	<a href="#">UC208-24</a>
SEALMASTER	<a href="#">2-18</a>
FKL	<a href="#">LE 208-108.2F.Y</a>
SNR	<a href="#">UC208-24G2</a>
SLB	<a href="#">UC208-24</a>
FYH	<a href="#">UC 208-24</a>
NTN	<a href="#">UC 208-108 D1</a>

### CALCULATION DATA

Basic dynamic load rating, C	32,500 kN
Basic static load rating, Co	19,800 kN
Operating temperature min	-20 °C
Operating temperature max	120 °C