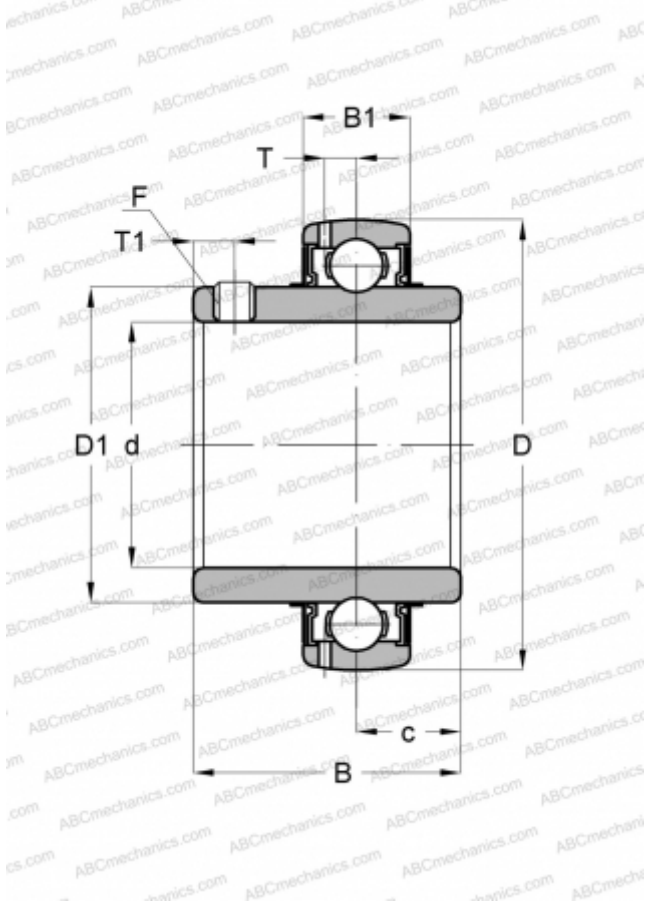


YAR 208-108-2F SKF

Insert bearings

TYPE: Ball bearings, Radial insert bearings, Grub screw to inner ring, Spherical outer ring, Seals on both side, R seal, relubrication, inch size



DIMENSIONS, MM

d	38,100
D	80,000
D1	51,800
B	49,200
C	21,000

MANUFACTURER

[SKF](#)

INTERCHANGE

ABC	UC 208-24
ASAHI	UC 208-24
INA	GY1108-KRR-B-AS2/V
IPTCI	UC208-24
AMI	UC208-24
BROWNING	VS-224
DODGE	INS-SC-108
FAFNIR	Y1108KRRB
HUB-CITY	YW250-1-1/2
LINK-BELT	UG224NL
PEER	UC208-24
SEALMASTER	2-18
FKL	LE 208-108.2F.Y
SNR	UC208-24G2
SLB	UC208-24
FYH	UC 208-24
NTN	UC 208-108 D1

CALCULATION DATA

Basic dynamic load rating, C	30,700 kN
Basic static load rating, Co	19,000 kN
Fatigue load limit, Pu	0,800 kN
Limiting speed	4800 r/min