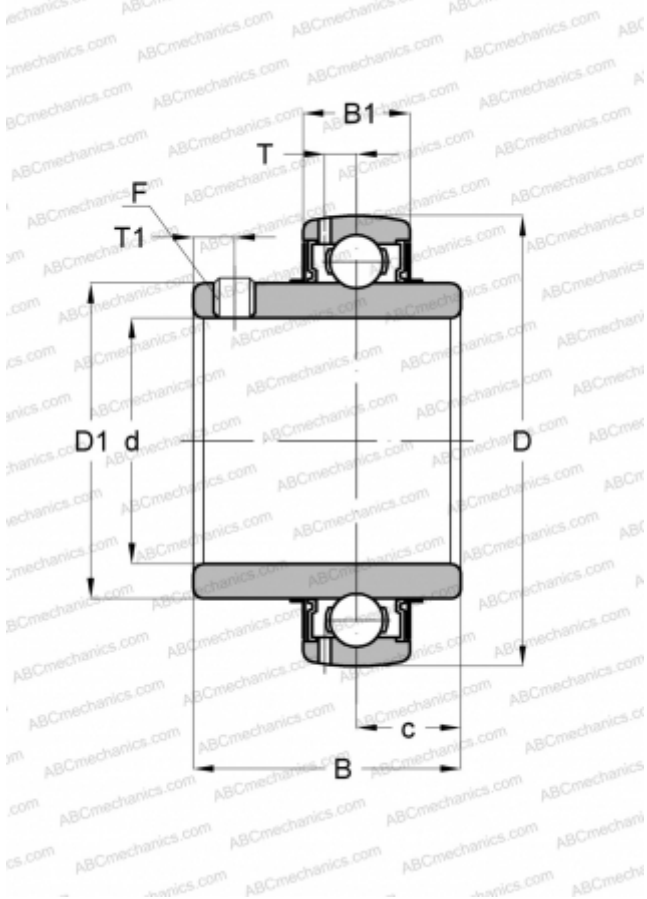


## LE 208-108.2F.Y FKL

Insert bearings

TYPE: Ball bearings, Radial insert bearings, Grub screw to inner ring, Spherical outer ring, Seals on both side, R seal, relubrication, inch size



### DIMENSIONS, MM

d	38,100
D	80,000
D1	53,010
B	49,200
B1	21,006
c	18,999
T	6,198
T1	8,001

### DIMENSIONS, MM

F	5/16-24
---	---------

### MANUFACTURER

[FKL](#)

### INTERCHANGE

ABC	<a href="#">UC 208-24</a>
ASAHI	<a href="#">UC 208-24</a>
INA	<a href="#">GY1108-KRR-B-AS2/V</a>
SKF	<a href="#">YAR 208-108-2F</a>
IPTCI	<a href="#">UC208-24</a>
AMI	<a href="#">UC208-24</a>
BROWNING	<a href="#">VS-224</a>
DODGE	<a href="#">INS-SC-108</a>
FAFNIR	<a href="#">Y1108KRRB</a>
HUB-CITY	<a href="#">YW250-1-1/2</a>
LINK-BELT	<a href="#">UG224NL</a>
PEER	<a href="#">UC208-24</a>
SEALMASTER	<a href="#">2-18</a>
SNR	<a href="#">UC208-24G2</a>
SLB	<a href="#">UC208-24</a>
FYH	<a href="#">UC 208-24</a>
NTN	<a href="#">UC 208-108 D1</a>