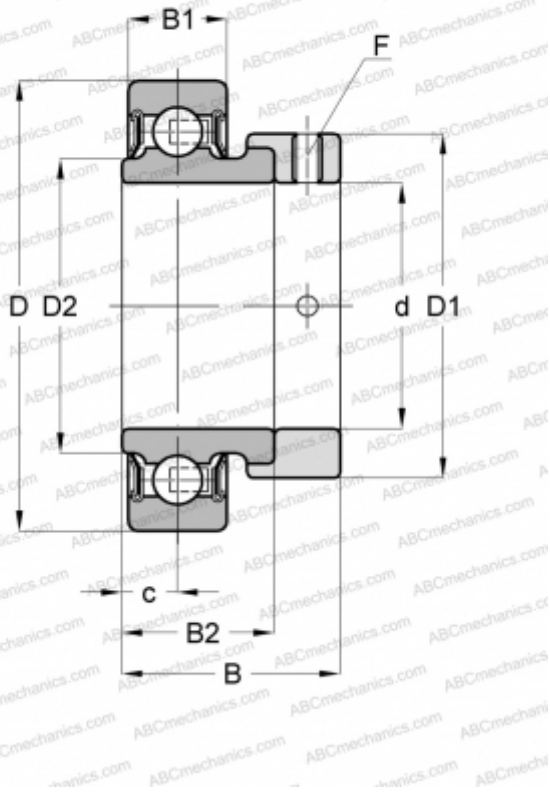


## KHR 201-8 AE ABC

Insert bearings

TYPE: Ball bearings, Radial insert bearings, With eccentric locking collar, Cylindrical outer ring, Seals on both side, P seal, without re-relubrication, inch size



### Technical specification

#### DIMENSIONS, MM

d	12,700
D	40,000
D1	28,575
B	28,575
B1	11,989
B2	19,101
c	6,502
F	1/4-28

#### MANUFACTURER

[ABC](#)

#### INTERCHANGE

SKF	<a href="#">YET 203-008 CW</a>
ASAHI	<a href="#">KHR 201-8 AE</a>