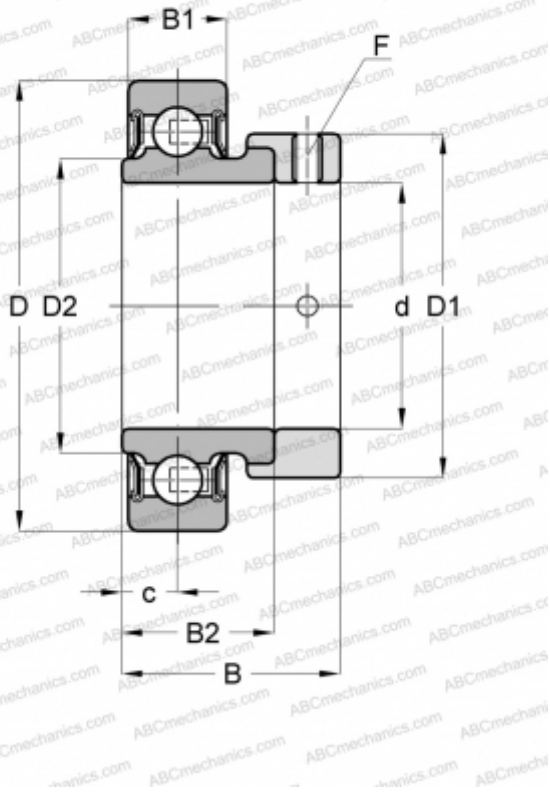


KHR 202-10 AE ABC

Insert bearings

TYPE: Ball bearings, Radial insert bearings, With eccentric locking collar, Cylindrical outer ring, Seals on both side, P seal, without re-lubrication, inch size



Technical specification

DIMENSIONS, MM

d	15,875
D	40,000
D1	28,575
B	28,575
B1	11,989
B2	19,101
c	6,502
F	1/4-28

MANUFACTURER

[ABC](#)

INTERCHANGE

INA	RA010-NPP
ASAHI	KHR 202-10 AE