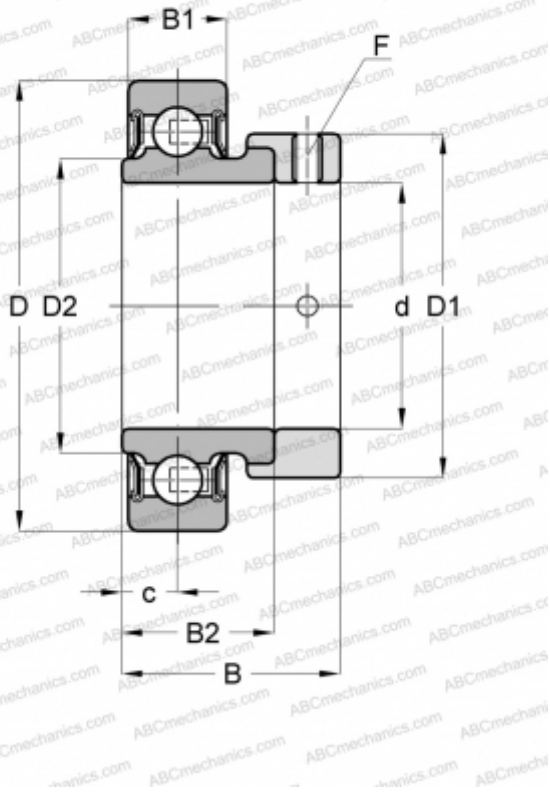


KHR 201 AE ASAHI

Insert bearings

TYPE: Ball bearings, Radial insert bearings, With eccentric locking collar, Cylindrical outer ring, Seals on both side, P seal, without re-relubrication



Technical specification

DIMENSIONS, MM

d	12,000
D	40,000
D1	28,600
B	28,600
B1	12,000
B2	19,100
c	6,500
F	M6 x 0.75

MANUFACTURER

[ASAHI](#)

INTERCHANGE

ABC	KHR 201 AE
INA	RAE12-NPP-FA106