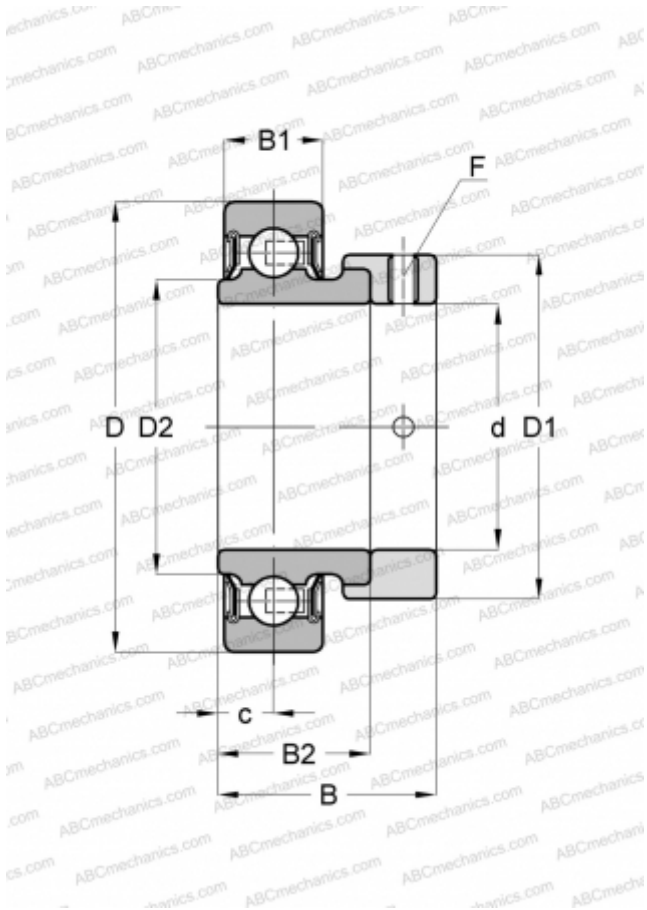


RAE15-NPP-FA106 INA

Insert bearings

TYPE: Ball bearings, Radial insert bearings, With eccentric locking collar, Cylindrical outer ring, Seals on both side, P seal, without re-lubrication



Technical specification

DIMENSIONS, MM

| | |
|----|--------|
| d | 15,000 |
| D | 40,000 |
| D1 | 28,000 |
| D2 | 23,000 |
| B | 28,600 |
| B1 | 12,000 |
| B2 | 19,000 |
| c | 6,500 |
| F | 3 |

MANUFACTURER

[INA](#)

INTERCHANGE

| | |
|-------|----------------------------|
| ABC | KHR 202 AE |
| ASAHI | KHR 202 AE |

CALCULATION DATA

| | |
|------------------------------|----------|
| Basic dynamic load rating, C | 9,800 kN |
| Basic static load rating, Co | 4,750 kN |
| Operating temperature min | -20 °C |
| Operating temperature max | 120 °C |

REPLACES

RAE15-XL-NPP-FA106