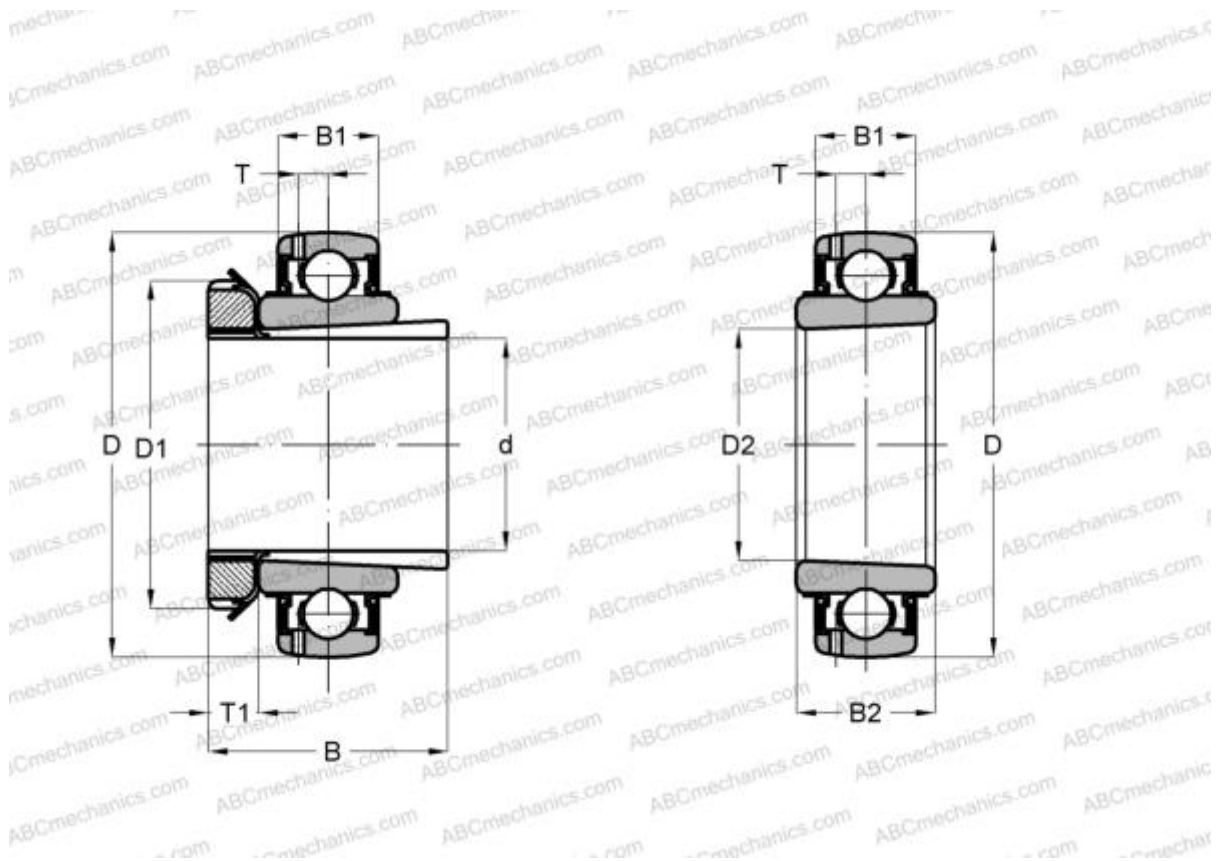


## LK 205 2F FKL

Insert bearings

TYPE: Ball bearings, Radial insert bearings, With adapter sleeve, Spherical outer ring, Seals on both side, RSR seal, relubrication



### Technical specification

#### DIMENSIONS, MM

d	20,000
D	52,000
D1	38,000
D2	25,000
B	35,000
B1	17,000
B2	23,000
T	4,500
T1	8,000

#### MANUFACTURER

[FKL](#)

#### INTERCHANGE

ABC	<a href="#">UK 205 + H2305</a>
SKF	<a href="#">YSA 205-2FK</a>
ASAHI	<a href="#">UK 205 + H2305</a>

#### INTERCHANGE

SNR	<a href="#">UK205+H</a>
SLB	<a href="#">UK205</a>
FYH	<a href="#">UK 205</a>
NTN	<a href="#">UK 205 D1</a>