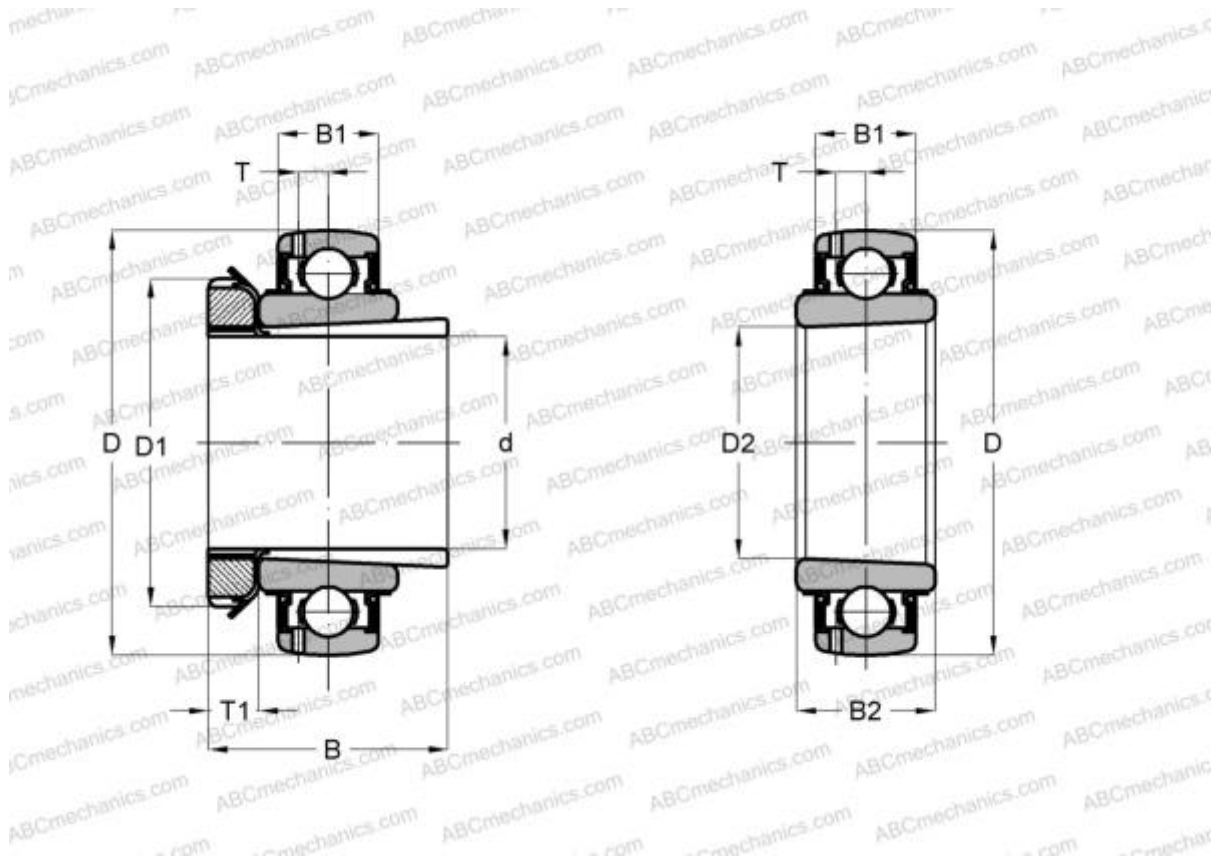


LK 208 2F FKL

Insert bearings

TYPE: Ball bearings, Radial insert bearings, With adapter sleeve, Spherical outer ring, Seals on both side, RSR seal, relubrication



Technical specification

DIMENSIONS, MM

| | |
|----|--------|
| d | 35,000 |
| D | 80,000 |
| D1 | 58,000 |
| D2 | 40,000 |
| B | 46,000 |
| B1 | 21,000 |
| B2 | 29,000 |
| T | 6,200 |
| T1 | 10,000 |

MANUFACTURER [FKL](#)

INTERCHANGE

| | |
|-------|--------------------------------|
| ABC | UK 208 + H2308 |
| SKF | YSA 208-2FK |
| ASAHI | UK 208 + H2308 |

INTERCHANGE

| | |
|-----|---------------------------|
| SNR | UK208+H |
| SLB | UK208 |
| FYH | UK 208 |
| NTN | UK 208 D1 |