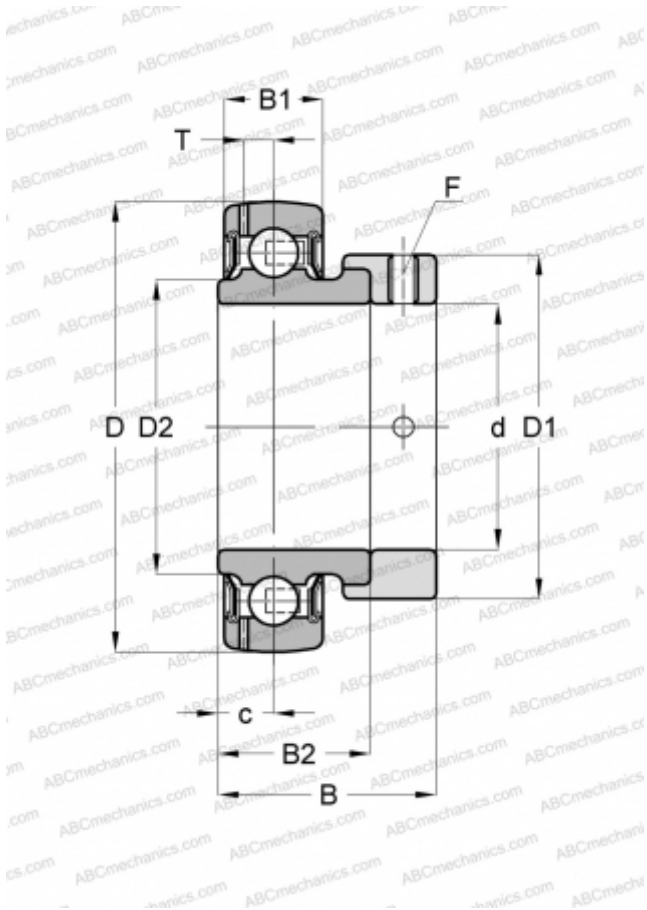


ES201G2 SNR

Insert bearings

TYPE: Ball bearings, Radial insert bearings, With eccentric locking collar, Spherical outer ring, Seals on both side, P seal, relubrication



DIMENSIONS, MM

d	12,000
D	40,000
D1	28,600
B	28,600
B1	12,000
B2	19,100
c	6,500
T	3,600

DIMENSIONS, MM

F	M6x1
---	------

MANUFACTURER

[SNR](#)

INTERCHANGE

ABC	GRAE12-NPP-B
ASAHI	KH 201 AE
INA	GRAE12-NPP-B
AMI	KH201
NTN	AEL201
NSK	EN201S
FYH	SA201
KOYO	SA201
IPTCI	SA201
PEER	FH201
NEUTRAL	UE201

CALCULATION DATA

Basic dynamic load rating, C	9,550 kN
Basic static load rating, Co	4,780 kN
Operating temperature min	-20 °C
Operating temperature max	110 °C