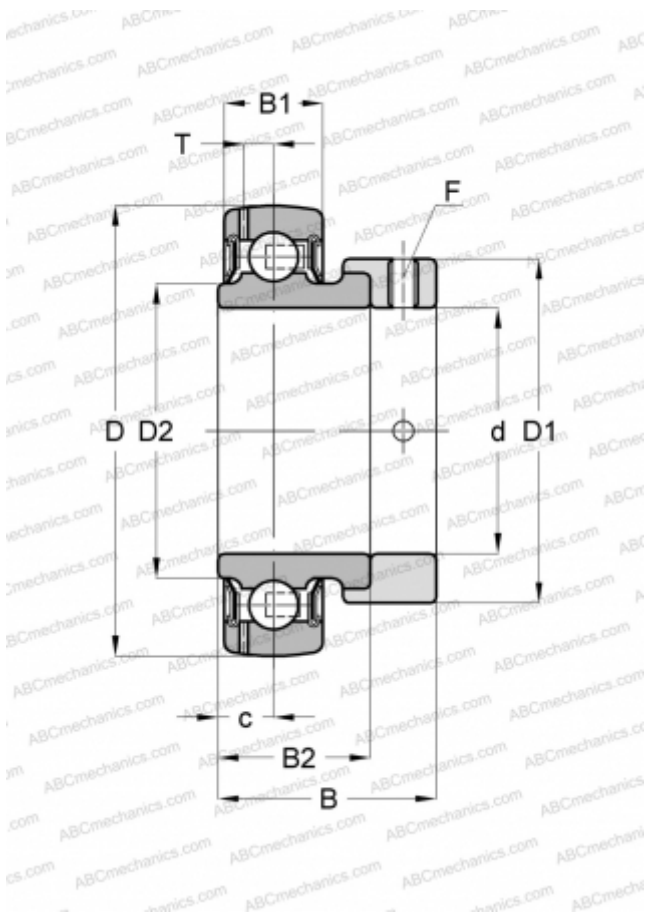


ES207G2 SNR

Insert bearings

TYPE: Ball bearings, Radial insert bearings, With eccentric locking collar, Spherical outer ring, Seals on both side, P seal, relubrication



DIMENSIONS, MM

| | |
|----|--------|
| d | 35,000 |
| D | 72,000 |
| D1 | 55,600 |
| B | 38,900 |
| B1 | 17,000 |
| B2 | 25,400 |
| c | 9,500 |
| T | 5,700 |

DIMENSIONS, MM

| | |
|---|------|
| F | M8x1 |
|---|------|

MANUFACTURER

[SNR](#)

INTERCHANGE

| | |
|-----------|------------------------------|
| ABC | GRAE35-NPP-B |
| ASAHI | KH 207 AE |
| SKF | YET 207 |
| INA | GRAE35-NPP-B |
| AMI | KH207 |
| NTN | AEL207 |
| NSK | EN207S |
| FYH | SA207 |
| KOYO | SA207 |
| IPTCI | SA207 |
| PEER | FH207 |
| RHP | 1235-35 ECG |
| NEUTRAL | UE207 |
| FAFNIR | GRAE35RRB |
| MRC | YET207 |
| DODGE | INS-SXV-35M |
| LINK-BELT | WG2M35UL |
| FAG | 16207 |

CALCULATION DATA

| | |
|------------------------------|-----------|
| Basic dynamic load rating, C | 25,700 kN |
| Basic static load rating, Co | 15,200 kN |
| Operating temperature min | -20 °C |
| Operating temperature max | 110 °C |