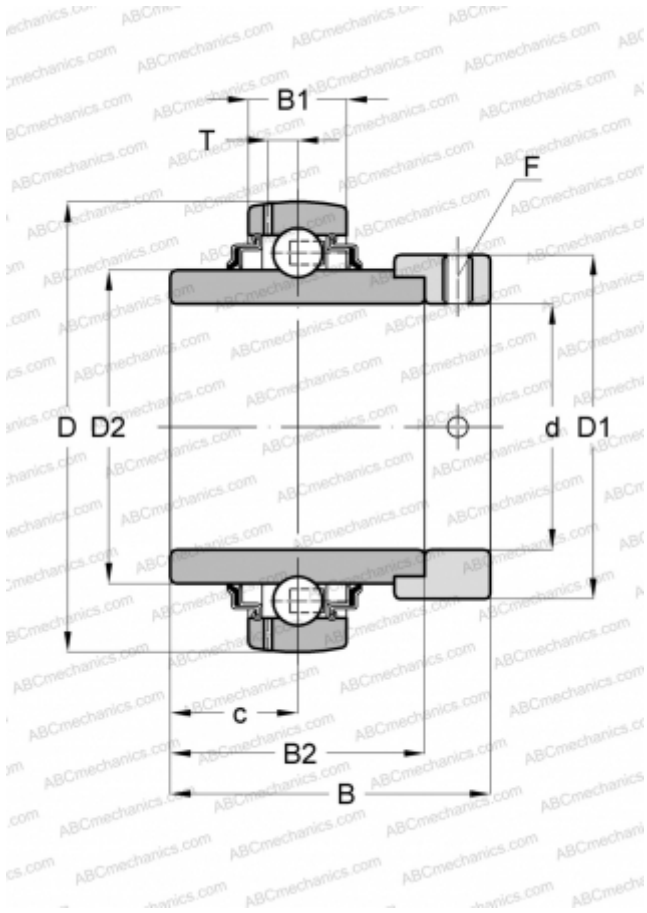


EX201G2 ABC

Insert bearings

TYPE: Ball bearings, Radial insert bearings, With eccentric locking collar, Spherical outer ring, Seals on both side, R seal, relubrication



Technical specification

DIMENSIONS, MM

d	12,000
D	47,000
B	43,500
B1	16,000
B2	34,000

MANUFACTURER

[ABC](#)

INTERCHANGE

SNR [EX201G2](#)