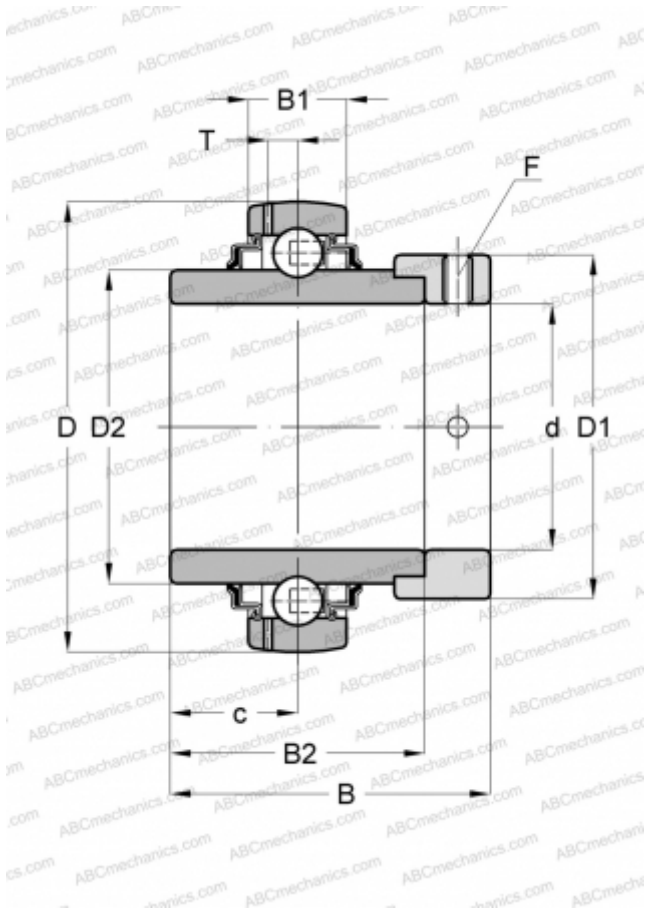


EX201G2 SNR

Insert bearings

TYPE: Ball bearings, Radial insert bearings, With eccentric locking collar, Spherical outer ring, Seals on both side, R seal, relubrication



Technical specification

DIMENSIONS, MM

| | |
|----|--------|
| d | 12,000 |
| D | 47,000 |
| D1 | 33,300 |
| B | 43,500 |
| B1 | 16,000 |
| B2 | 34,000 |
| c | 17,000 |
| T | 4,400 |
| F | M6x1 |

MANUFACTURER

[SNR](#)

INTERCHANGE

ABC

[EX201G2](#)

CALCULATION DATA

| | |
|------------------------------|-----------|
| Basic dynamic load rating, C | 12,800 kN |
| Basic static load rating, Co | 6,650 kN |
| Operating temperature min | -20 °C |
| Operating temperature max | 110 °C |