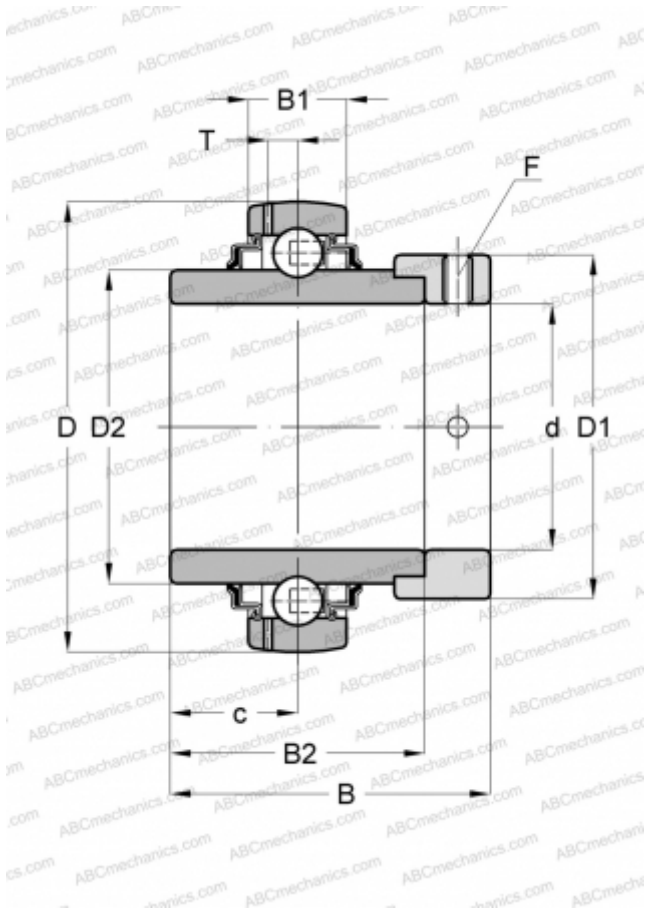


EX202G2 SNR

Insert bearings

TYPE: Ball bearings, Radial insert bearings, With eccentric locking collar, Spherical outer ring, Seals on both side, R seal, relubrication



Technical specification

DIMENSIONS, MM

d	15,000
D	47,000
D1	33,300
B	43,500
B1	16,000
B2	34,000
c	17,000
T	4,400
F	M6x1

MANUFACTURER

[SNR](#)

INTERCHANGE

ABC

[EX202G2](#)

CALCULATION DATA

Basic dynamic load rating, C	12,800 kN
Basic static load rating, Co	6,650 kN
Operating temperature min	-20 °C
Operating temperature max	110 °C