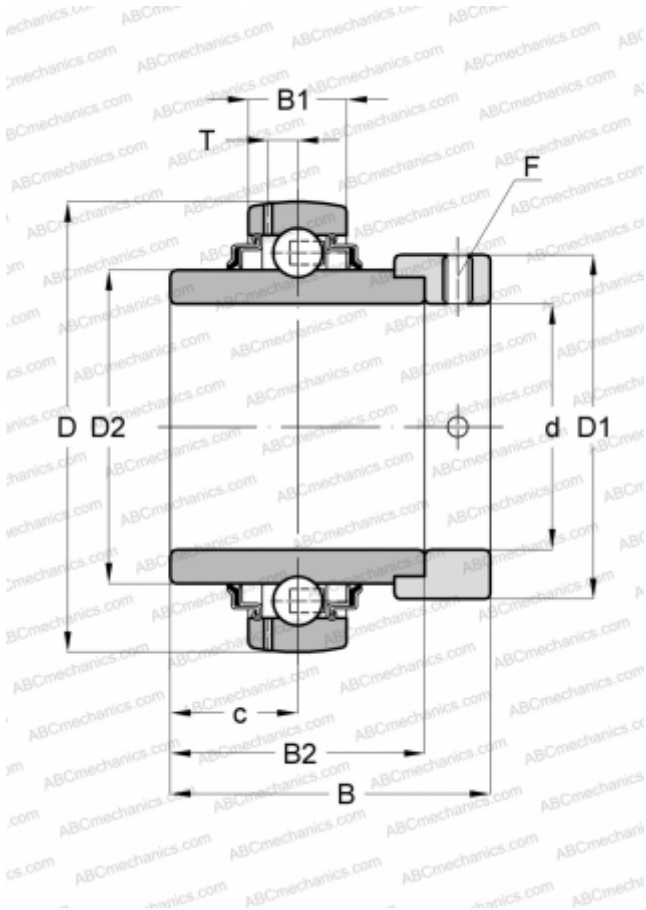


EX208G2 SNR

Insert bearings

TYPE: Ball bearings, Radial insert bearings, With eccentric locking collar, Spherical outer ring, Seals on both side, R seal, relubrication



Technical specification

DIMENSIONS, MM

d	40,000
D	80,000
D1	60,300
B	56,300
B1	21,000
B2	42,800
c	21,400
T	6,300
F	M8x1

MANUFACTURER

[SNR](#)

INTERCHANGE

ABC	GE40-KRR-B
ASAHI	UG 208+ER
SKF	YEL 208-2F
INA	GE40-KRR-B
SLB	UEL208
FYH	NA208
NTN	UEL 208 D1 W3

CALCULATION DATA

Basic dynamic load rating, C	29,600 kN
Basic static load rating, Co	18,200 kN
Operating temperature min	-20 °C
Operating temperature max	110 °C