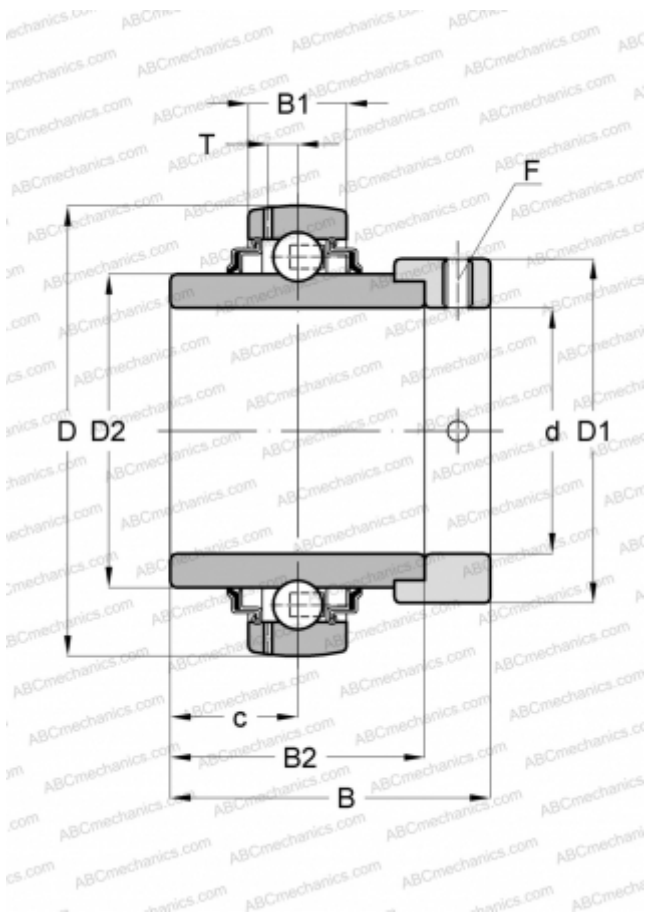


EX212G2 SNR

Insert bearings

TYPE: Ball bearings, Radial insert bearings, With eccentric locking collar, Spherical outer ring, Seals on both side, R seal, relubrication



Technical specification

DIMENSIONS, MM

d	60,000
D	110,000
D1	84,200
B	77,700
B1	27,000
B2	61,800
c	30,900
T	8,200
F	M10x1.25

MANUFACTURER

[SNR](#)

INTERCHANGE

ABC	GE60-KRR-B
ASAHI	UG 212+ER
SKF	YEL 212-2F
INA	GE60-KRR-B
SLB	UEL212
FYH	NA212
NTN	UEL 212 D1 W3

CALCULATION DATA

Basic dynamic load rating, C	52,500 kN
Basic static load rating, Co	32,800 kN
Operating temperature min	-20 °C
Operating temperature max	110 °C