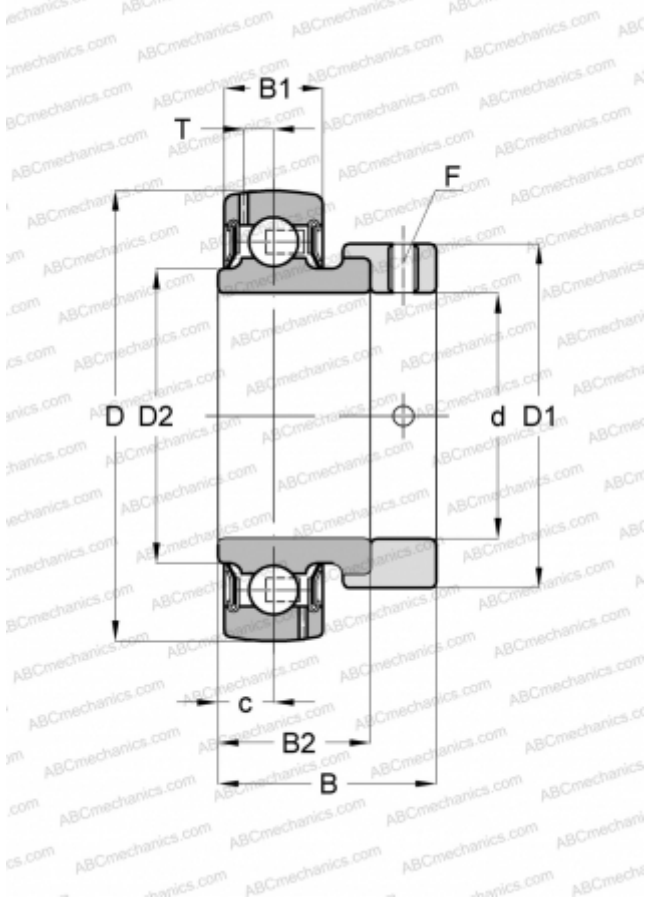


ES201-08G2 SNR

Insert bearings

TYPE: Ball bearings, Radial insert bearings, With eccentric locking collar, Spherical outer ring, Seals on both side, P seal, relubrication, inch size



DIMENSIONS, MM

d	12,700
D	40,000
D1	28,600
B	28,600
B1	12,000
B2	19,100
c	6,500
T	3,600

DIMENSIONS, MM

F	1/4-28UNF
---	-----------

MANUFACTURER

[SNR](#)

INTERCHANGE

ABC	KH 201-8 AE
SKF	YET 203-008
ASAHI	KH 201-8 AE
AMI	KH201-8
NTN	AEL201-008
NSK	EN201-8S
FYH	SA201-8
KOYO	SA201-8
IPTCI	SA201-8
PEER	FH201-8
NEUTRAL	UE201-8
FAFNIR	GRA008RRB
DODGE	INS-SXV-008
BROWNING	VE-108
HUB-CITY	B220x1/2

CALCULATION DATA

Basic dynamic load rating, C	9,550 kN
Basic static load rating, Co	4,780 kN
Operating temperature min	-20 °C
Operating temperature max	110 °C