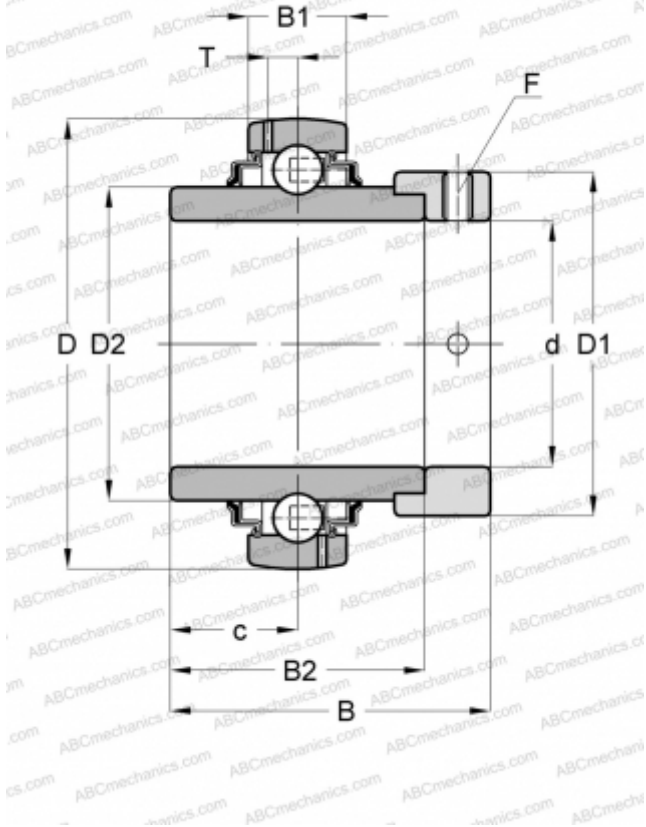


## EX201-08G2 SNR

Insert bearings

TYPE: Ball bearings, Radial insert bearings, With eccentric locking collar, Spherical outer ring, Seals on both side, R seal, relubrication, inch size



### Technical specification

#### DIMENSIONS, MM

d	12,700
D	47,000
D1	33,300
B	43,500
B1	16,000
B2	34,000
c	17,000
T	4,400
F	1/4-28UNF

#### MANUFACTURER

[SNR](#)

#### INTERCHANGE

ABC	<a href="#">EX201-08G2</a>
SLB	<a href="#">UEL 201-8</a>
FYH	<a href="#">NA201-8</a>

#### CALCULATION DATA

Basic dynamic load rating, C	12,800 kN
Basic static load rating, Co	6,650 kN
Operating temperature min	-20 °C
Operating temperature max	110 °C