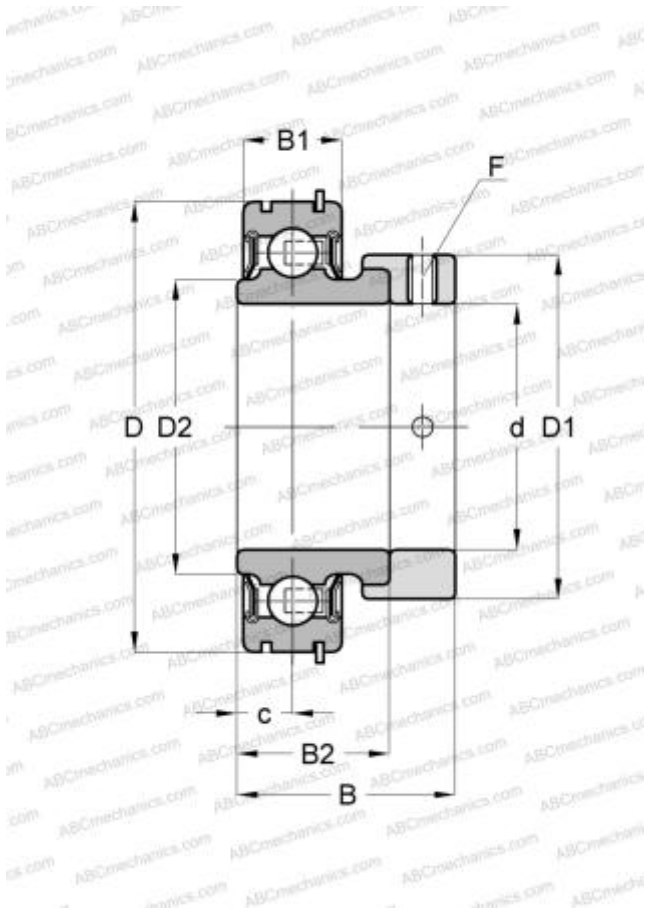


CES204 ABC

Insert bearings

TYPE: Ball bearings, Radial insert bearings, With eccentric locking collar, Cylindrical outer ring, snap ring, Seals on both side, with inner ring extended at one side



Technical specification

DIMENSIONS, MM

d	20,000
D	47,000
D1	33,300
B	31,000
B1	14,000
B2	21,500
c	7,000
F	M6x1

MANUFACTURER

[ABC](#)

INTERCHANGE

INA	RAE20-NPP-NR
SNR	CES204